

Code 100205

Axminster Rip Fence Upgrade

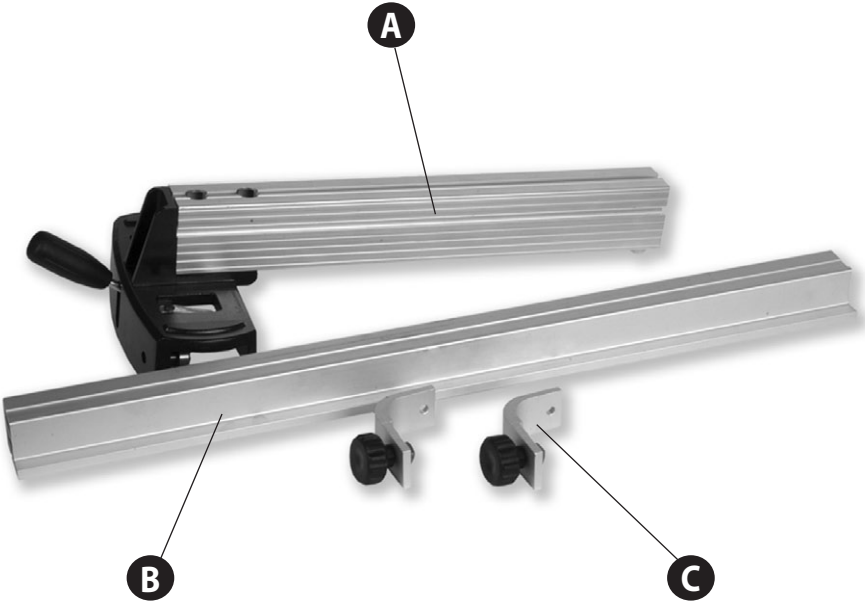


Index of Contents

	Page No
Index of Contents	02
What's Included	03
Mounting the Fence to the Bandsaw Table	04
Tool Illustration and Parts Description	05
Parts Breakdown/List	06-07

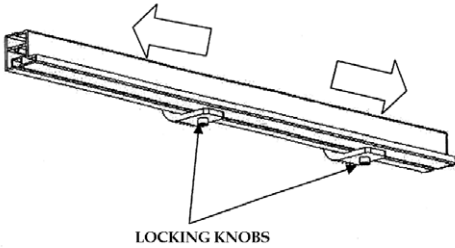
What's Included

Quantity	Item	Part	Model Number
1 No	Bandsaw Guide Fence	A	100205
1 No	Guide Fence Rail	B	
2 No	Mounting Brackets	C	
1 No	Instruction Manual		



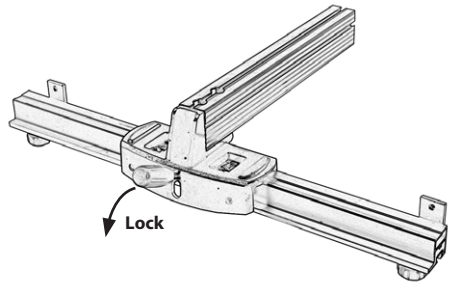
Mounting the Fence to the Bandsaw

Step 1

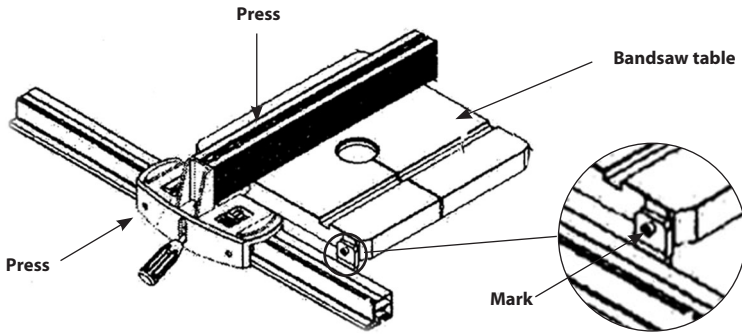


Place the mounting brackets to the fence rail and loosely lock them in place with the two locking knobs.

Step 2




Position the guide fence firmly down on top of the guide fence rail and press down the handle to lock in place. Make sure it is correctly positioned with the bearings flush on the rail.



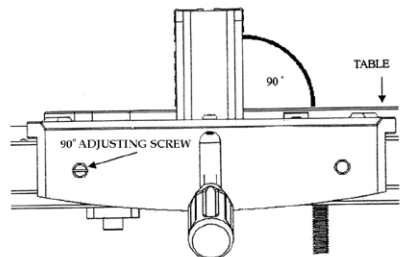
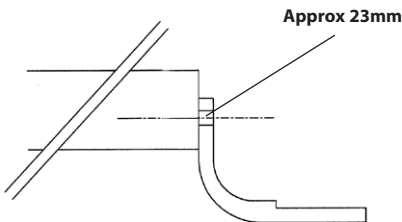
Step 3

Place (clamp preferably) the fence onto the table, put the attachment brackets as far apart as possible. Tighten the locking knobs. Press the assembly to the table top and front edge. Using a sharp pencil mark the position of the fixing holes in the attachment brackets. Remove the fence assembly and in the centre of the hole marks drill 5mm diameter holes and tap M6.

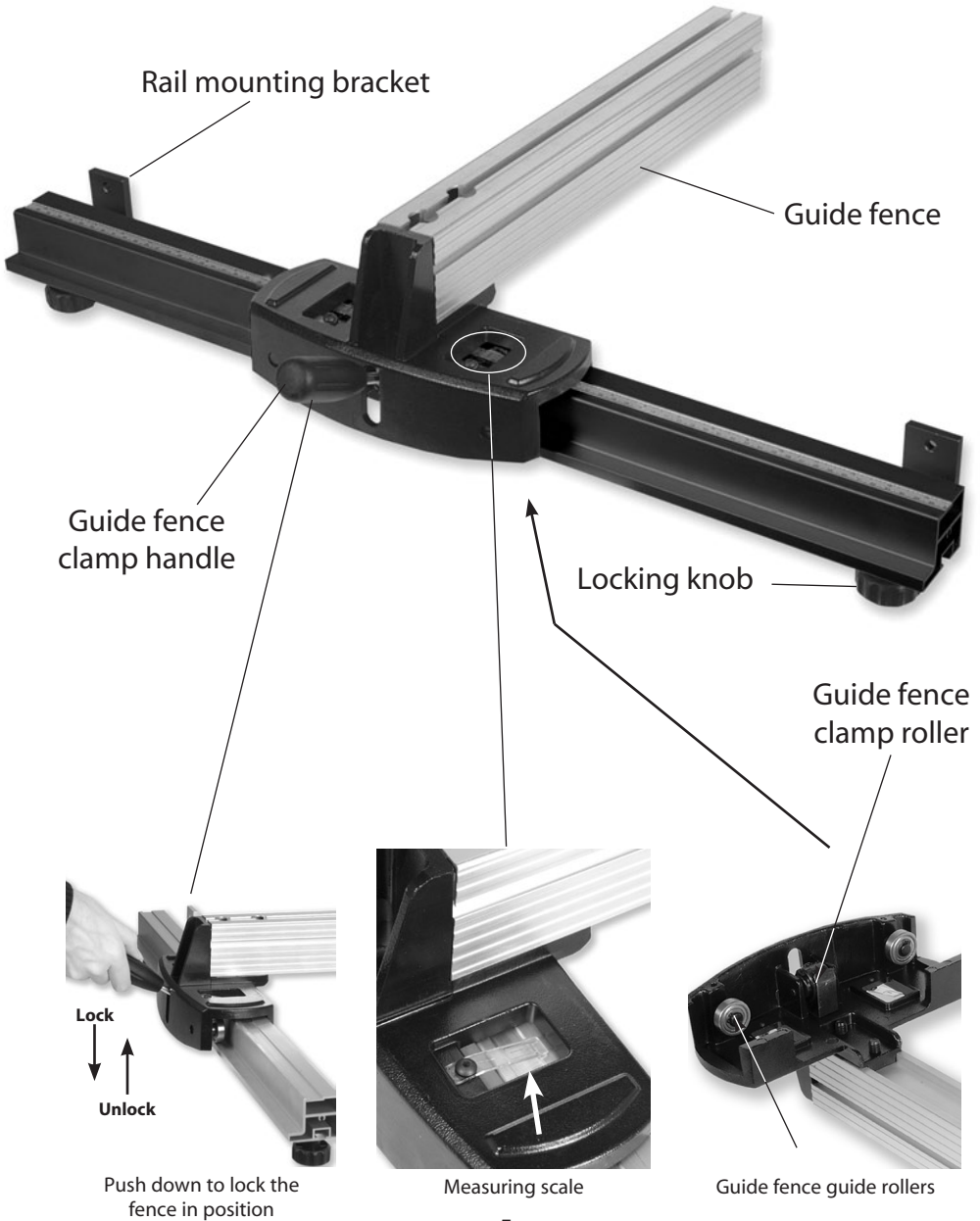
(For guidance.... the centre line of the holes should be approximately 23mm below the table edge.)



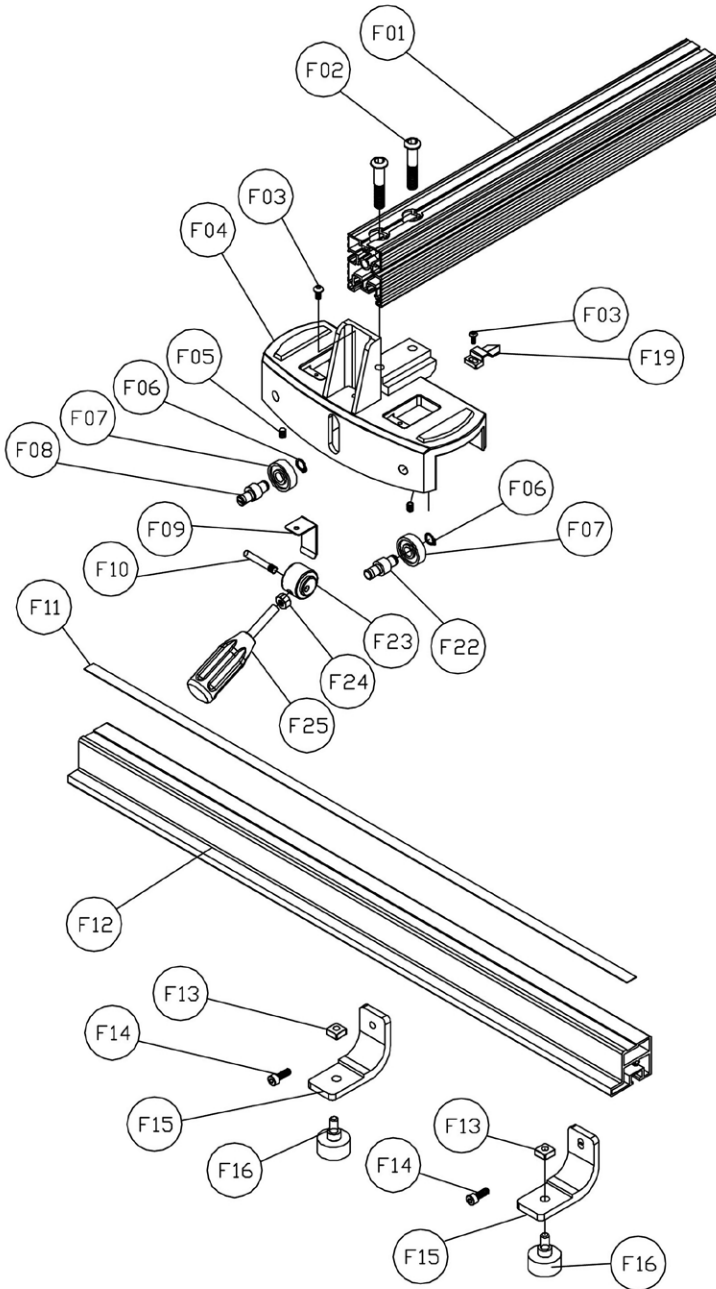
WARNING! MAKE CERTAIN THAT EVERYTHING IS LOCKED IN PLACE BEFORE USING THE BANDSAW



Tool Illustration and Parts Description



Parts Breakdown/List



Parts Breakdown/List

NO.	DESCRIPTION	QTY
F01	Fence Body	1
F02	Socket Head Screw 10 x 25	2
F03	Socket Head Screw 5 x 10	2
F04	Fence Base	1
F05	Set Screw 1/4 x 1/4	2
F06	C-Ring S10	2
F07	Bearing 6200	2
F08	Eccentric Shaft	4
F09	Plate	1
F10	Pin 6 x 43	1
F11	Scale	1
F12	Large Fence Rail	1
F13	Square Nut	2
F14	CAP Screw 1/4 x 1"	2
F15	L Type Plate	2
F16	Knob 5/16"x 5/8"	2
F19	Pointer	1
F22	Bearing Shaft	1
F23	Lock Mechanism	1
F24	Nut 8mm	1
F25	Handle	1



Please dispose of packaging for the product in a responsible manner. It is suitable for recycling. Help to protect the environment, take the packaging to the local recycling centre and place into the appropriate recycling bin.

Only for EU countries



Do not dispose of electric tools together with household waste material. In observance of European Directive 2002/96/EC on waste electrical and electronic equipment and its implementation in accordance with national law, electric tools that have reached the end of their life must be collected separately and returned to an environmentally compatible recycling facility.