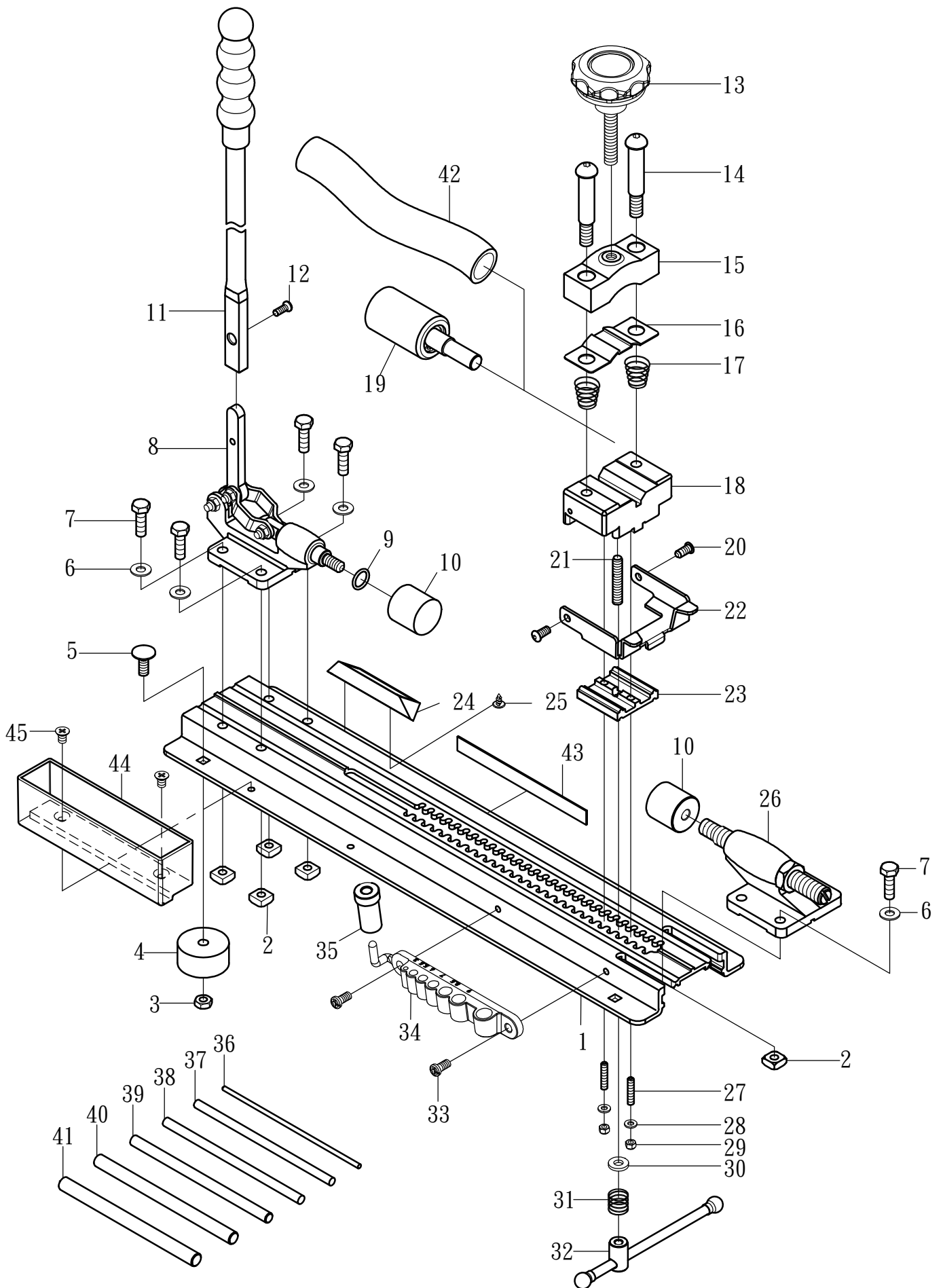


Pen Press Assembly



Pen Press Assembly

Index No.	Part No.	Description	Size	Qty.
1.....	50100001-5A.....	Base.....	1
2.....	935014052.....	Hex Nut.....	1/4"x11x5.....8
3.....	910M06000.....	Hex Nut.....	M6.....4
4.....	30100016.....	Rubber Boot.....	4
5.....	909M06016.....	Carridge Bolt.....	M6x16.....4
6.....	914M061301.....	Eyelet Washer.....	6x13x1.....8
7.....	904014001.....	Bolt Screw.....	1/4"x1".....8
8.....	50100010A.....	Clamp Set.....	1
9.....	94300004.....	Oil Ring.....	10.82*1.78....1
10.....	50100013.....	Press Head.....	2
11.....	50100016.....	Handle.....	1
12.....	905M05010.....	Flat Head Screw.....	M5x10.....1
13.....	940M08048.....	Plastic Knob.....	M8x48.....1
14.....	50100020A.....	Flexible Screw.....	2
15.....	50100021.....	Up Clamp.....	1
16.....	50100022.....	Splint.....	1
17.....	50100023A.....	Spring.....	2
18.....	50100024.....	Bottom Base.....	1
19.....	50100028A.....	Flexible Set.....	1
20.....	50100029.....	Screw.....	2
21.....	908M06035.....	Set Screw.....	M6x35.....1
22.....	50100031.....	Location Plate.....	1
23.....	50100032.....	Slider.....	1
24.....	50100048.....	Logo Bracket.....	1
25.....	907M35008A.....	Flat Head Screw.....	M3.5x8.....2
26.....	50100051A.....	Screw Base Set.....	1
27.....	908M04025.....	Set Screw.....	M4x25.....2
28.....	914M040801.....	Eyelet Washer.....	4x8x1.....2
29.....	912M04000.....	Hex Nut.....	M4x0.7.....2
30.....	914M061601.....	Eyelet Washer.....	6x16x1.....1
31.....	50100037.....	Spring.....	1
32.....	50100038A.....	Lock Handle Set.....	1
33.....	906M05010.....	Round Head Screw.....	M5x10.....2

Pen Press Assembly

Index No.	Part No.	Description	Size	Qty.
34.....	50100040.....	Placement rack.....	1
35.....	50100041.....	Disassembly Bushing.....	1
36.....	50100042.....	Punch Bar	3.0mm.....1
37.....	50100043.....	Punch Bar.....	5.5mm.....1
38.....	50100044.....	Punch Bar.....	6.0mm.....1
39.....	50100045.....	Punch Bar.....	7.0mm.....1
40.....	50100046.....	Punch Bar.....	8.5mm.....1
41.....	50100047.....	Punch Bar.....	9.0mm.....1
42.....	50100056.....	Disassembly Tube.....	19x150mm.....1
43.....	T5010005.....	Scale.....	0~170mm.....1
44.....	50100059.....	Box.....	1
45.....	905M05008.....	Flat Head Screw.....	M5x8.....2