

TDS-10 Dog Stop

User Guide

696-011 REV B

The TDS-10 Dog Stop provides a means of locating a workpiece repeatedly at the precise same position on a 20mm hole pattern workbench top without being limited by its relationship to the 20 mm hole pattern or the location of the nearest 20mm hole.

**Woodworking tasks often require multiple parts with identical dimensions.
TDS-10 Dog Stop meets this challenge when used together with a 20mm pattern benchtop.**

The TDS-10 Dog Stop is sold as a stand-alone item because many customers already have the Knobs and Dogs which are needed to make this a functional accessory.

Before use refer to page 2 Assembly Diagram:

Place the Item "B", 150 Grit Washer, on Item D, Small Dog after removing the carrier paper from the adhesive back of this Washer.

Place Nylon Washer "C" on the on the threaded stud of the SpeedKnob™

Assemble the Dogs and Speed Knobs as shown on the diagram.

Place the collar of the Small Dog in the recessed slot of the Dog Stop body. in the M8 hole of the Small Dog from the top of the TDS-10 Dog Stop until only snug. Repeat with the remaining SpeedKnob and Small Dog.

Place your workpiece on the 20mm workbench top or MFT/3 table in the approximate position for your intended operation. Place the TDS-10 Dog Stop in the 20mm hole pattern best suited to locate your work piece for the intended operation.

Confirm the workpiece is securely aligned as intended.

With the SpeedKnobs slightly loosened, slide the TDS-10 Dog Stop up against the workpiece while making sure no debris or sawdust interferes. Tighten the SpeedKnob nearest the workpiece followed by tightening the remaining SpeedKnob.

Before removing the TDS-10 following your operation:

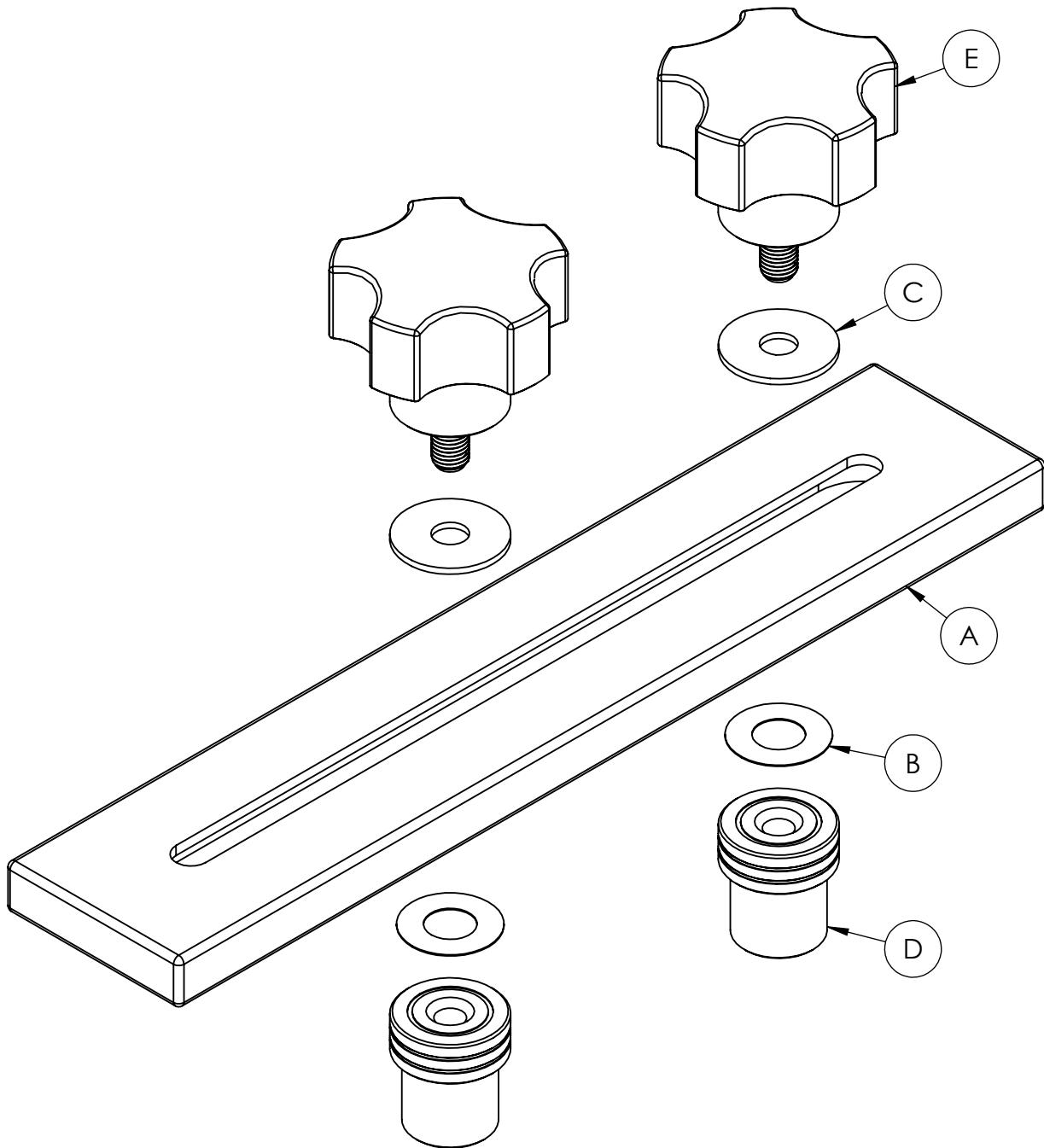
Consider saving the location and locking position of the TDS-10 by marking it on removable painter's tape applied to the TDS-10. Also note the workbench hole location with pencil so it can be erased when no longer needed.

To remove:

Gently lift equally straight up by pulling evenly using the SpeedKnobs as handles.

Enjoy the precision and convenience of being able to produce parts with identical dimensions – more accurate than measuring each time

For customer service or spare parts: info@tsoproducts.com



ITEM	QTY.	DWG. NO.	REV.	DESCRIPTION
A	2	610-331	B	DOG STOP
B	4	610-426	B	WASHER, DOG, 150 GRIT ALUM. OXIDE, PSA
C	4	610-427	A	WASHER, M8, NYLON, SPEED KNOB
ITEMS BELOW ARE REQUIRED FOR USE BUT NOT INCLUDED				
D	0	610-221	D	DOG, SMALL, 18 MM
E	0	610-217	A	SPEED KNOB, M8 STUD