

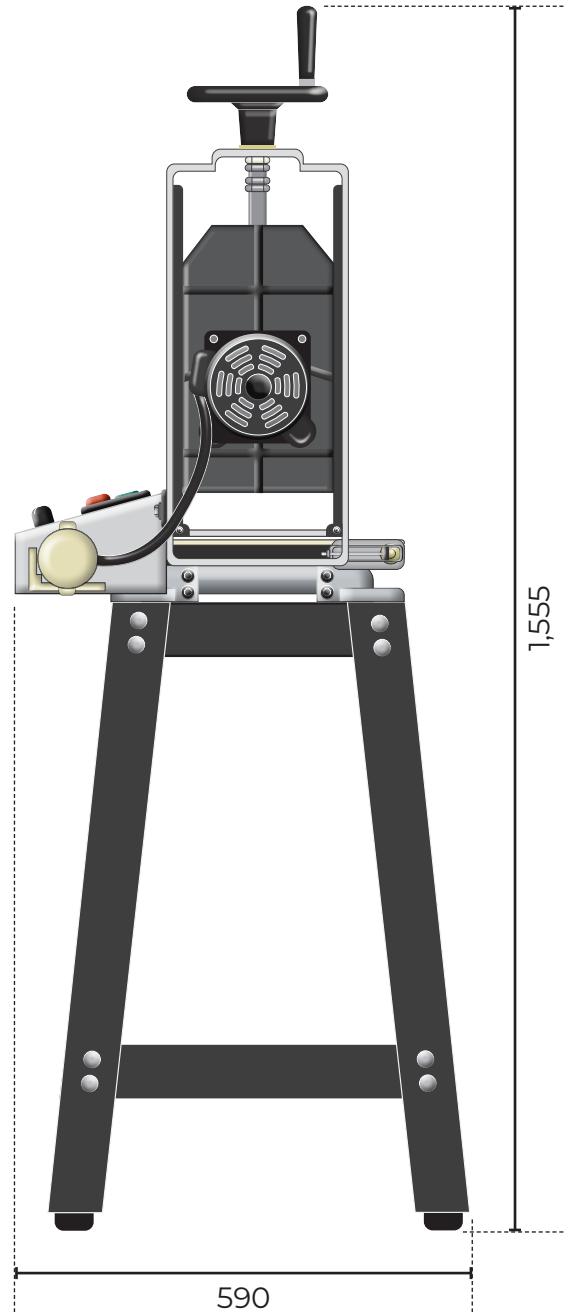
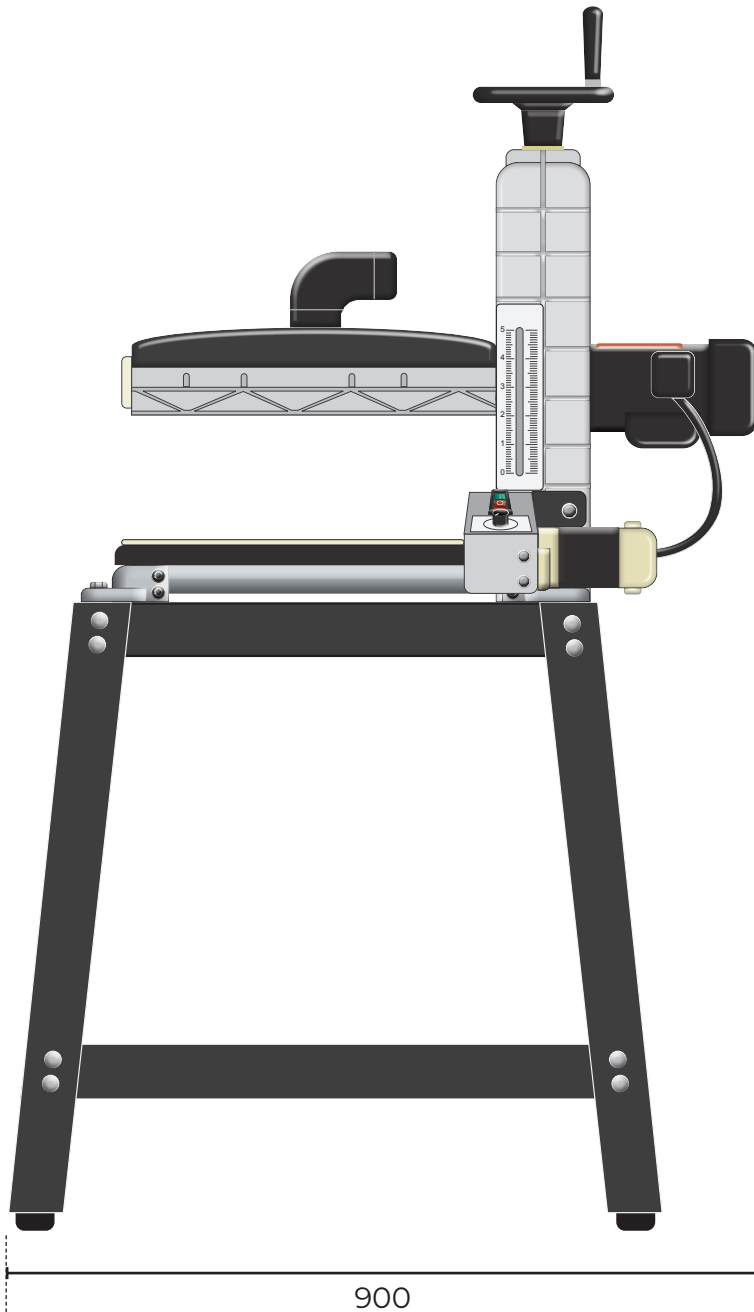
# AP406DS DRUM SANDER - 230V 107636

All dimensions in mm

Maximum Length: 900  
Maximum Width: 590  
Maximum Height: 1,555

AXMINSTER

PROfessional



Available as a PDF download