

# AP3327B BANDSAW 107660

All dimensions in mm

Maximum Length: 820

Maximum Width: 670

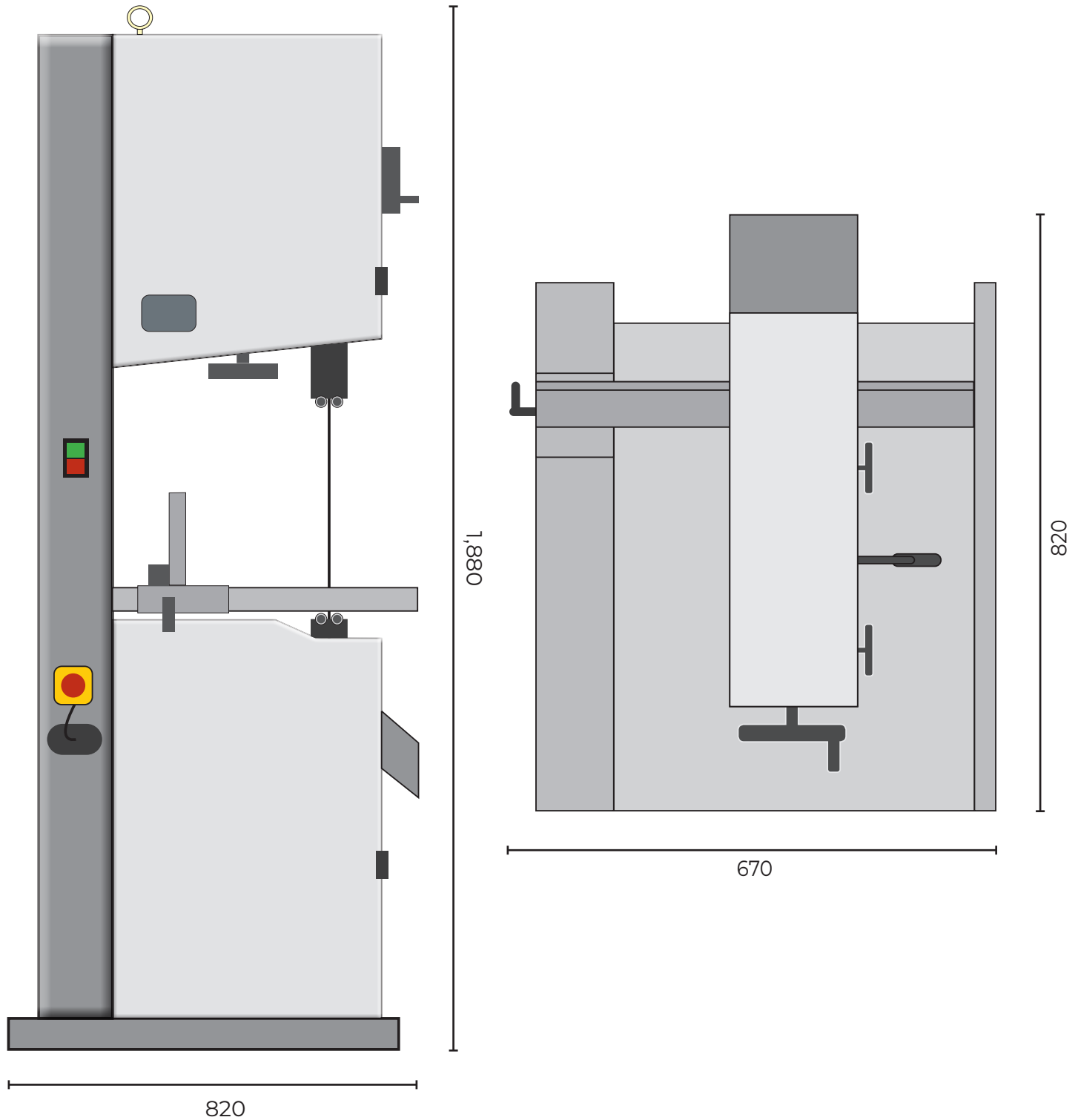
Maximum Height: 1,880

Base Size: 450 x 685

Table Size: 585 x 445

AXMINSTER

PROfessional



Available as a PDF download