

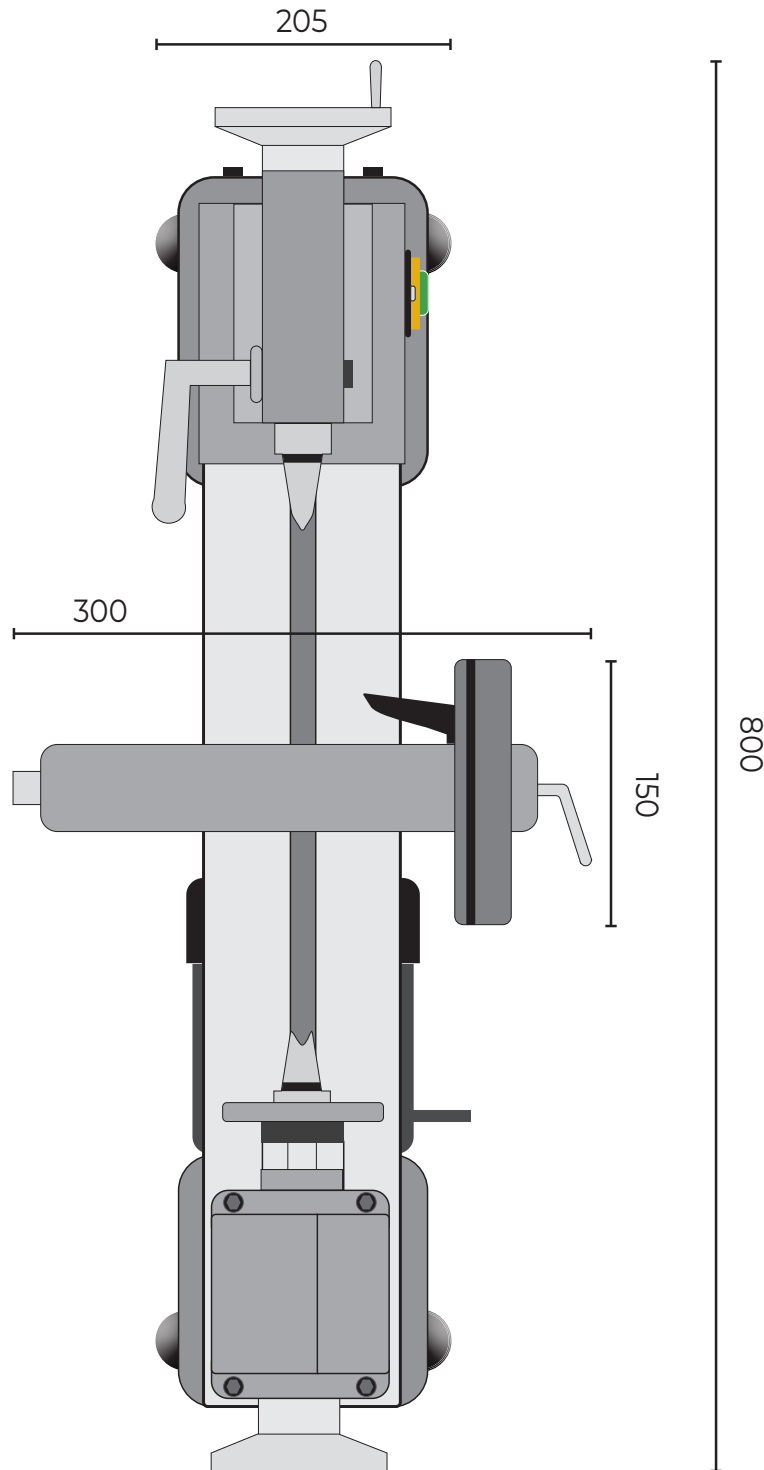
# AW240WL WOODTURNING LATHE 107673

All dimensions in mm

Maximum Length: 800  
Maximum Width: 205  
Maximum Height: 365  
Tool Rest: 150 x 300

AXMINSTER

# WORKSHOP



Available as a PDF download