



Code 107695

Original Instructions

# AW37E

## 1HP Extractor




AT: 11/01/2023  
BOOK VERSION: 3

# INDEX OF CONTENTS

EU Declaration of Conformity	02
What's Included	03
General Instructions for 230V Machines	04
Specific Safety for Dust Extractors	05
Specification	06
Assembly	06-07-08
Illustration and Parts Description	09
Wall Mounting	10-11
Maintenance	12
Exploded Diagrams/Lists	13-14
Wiring Diagram	15

## EU DECLARATION OF CONFORMITY

<p><b>Cert No: FM230</b></p> <p>Axminster Tool Centre Ltd Axminster Devon EX13 5PH UK <b>axminstertools.com</b></p> <p>declares that the machinery described:-</p> <table border="1"> <tr> <td>Type</td> <td><b>Extractor</b></td> </tr> <tr> <td>Model</td> <td><b>AW37E</b></td> </tr> </table> <p>Signed </p> <p><b>Andrew Parkhouse</b> Operations Director</p>	Type	<b>Extractor</b>	Model	<b>AW37E</b>	<p><b>EU Declaration of Conformity</b></p> <p><b>This machine complies with the following directives:</b></p> <p>2006/42/EC 06/42/EC - Annex I/05.2006 EN 62233:2008 EN 60335-2-69:2012</p> <p>EN 60335-1:2012+A11</p> <p>and conforms to the machinery example for which the EC Type-Examination Certificate No AM 50352798 has been issued by Laizhou Planet Machinery Co., Ltd. at: Yutai West Street Laizhou, Shandong 261400 China</p> <p>and complies with the relevant essential health and safety requirements.</p>
Type	<b>Extractor</b>				
Model	<b>AW37E</b>				
Date: <b>08/08/2016</b>					

The symbols below advise the correct safety procedures when using this machine.



Fully read manual and safety instructions before use



Ear protection should be worn



Eye protection should be worn



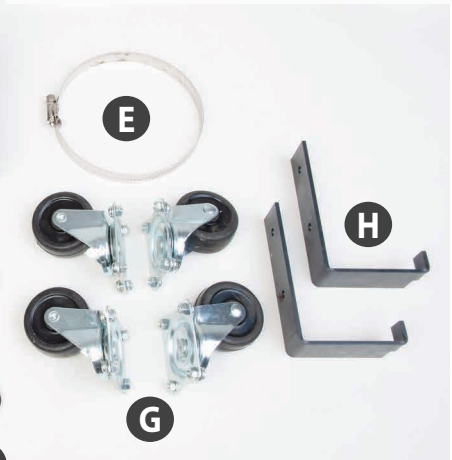
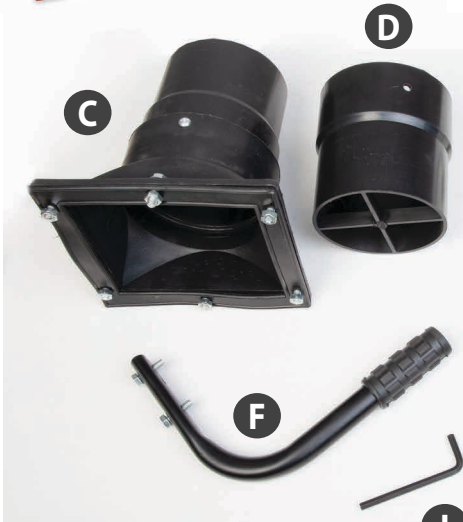
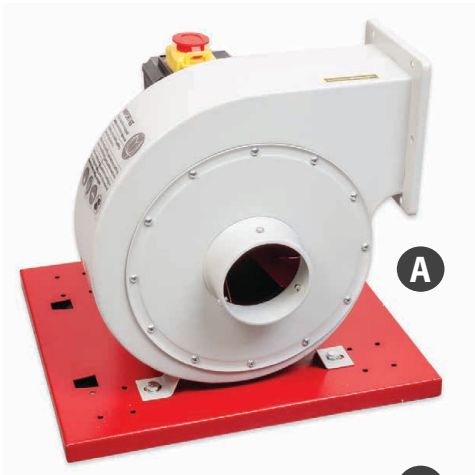
Dust mask should be worn



**HAZARD**  
Motor gets hot

## WHAT'S INCLUDED

Quantity	Item	Part	Model Number
			AW37E
1	Dust Extractor	A	
2	Dust Bag	B	
1	Outlet Duct and Gasket	C	
1	Inlet Grill	D	
1	Large Clip	E	
1	Handle	F	
4	Castor Wheels with Fixings	G	
2	Wall Mounted Hook Brackets	H	
1	Hex Key	I	



## GENERAL INSTRUCTIONS FOR 230V MACHINES

---

The following will enable you to observe good working practices, keep yourself and fellow workers safe and maintain your tools and equipment in good working order.



**WARNING!! KEEP TOOLS AND EQUIPMENT OUT OF REACH OF YOUNG CHILDREN.**



**KEEP WORK AREA AS UNCLUTTERED AS IS PRACTICAL. UNDER NO CIRCUMSTANCES SHOULD CHILDREN BE ALLOWED IN WORK AREAS.**

### Mains Powered Tools

- Tools are supplied with an attached 13 Amp plug.
- Inspect the cable and plug to ensure that neither are damaged. Repair if necessary by a suitably qualified person.
- Do not use when or where it is liable to get wet.

### Workplace

- Do not use 230V a.c. powered tools anywhere within a site area that is flooded.
- Keep machine clean.

- Leave machine unplugged until work is about to commence.
- Always disconnect by pulling on the plug body and not the cable.
- Carry out a final check e.g. check the cutting tool is securely tightened in the machine and the correct speed and function set.
- Ensure you are comfortable before you start work, balanced, not reaching etc.
- Wear appropriate safety clothing, goggles, gloves, masks etc. Wear ear defenders at all times.
- If you have long hair wear a hair net or helmet to prevent it being caught up in the rotating parts of the machine.
- Consideration should be given to the removal of rings and wristwatches.
- Consideration should also be given to non-slip footwear etc.
- If another person is to use the machine, ensure they are suitably qualified to use it.
- Do not use the machine if you are tired or distracted.
- Do not use this machine within the designated safety areas of flammable liquid stores or in areas where there may be volatile gases.
- Check cutters are correct type and size, are undamaged and are kept clean and sharp. This will maintain their operating performance and lessen the loading on the machine.
- **OBSERVE....** make sure you know what is happening around you and **USE YOUR COMMON SENSE.**

## SPECIFIC SAFETY FOR DUST EXTRACTORS

**DO NOT** use this machine as a vacuum cleaner, try to keep the waste medium to wood by-products.

**DO NOT** uplift workshop floor debris (stones, nails, screws, paper etc., etc). Be aware that wood dust is an explosive medium.

**DO NOT** allow any 'naked light' source to occur anywhere near the machine. This includes cigarettes, matches, etc, and do not place the machine near any unprotected light bulbs, that could possibly get broken.

The suction force is generated by a high speed fan unit. This has the potential to amputate fingers, grab loose clothing (ties etc.,) and 'bat' large chips etc, at high speeds. Keep all guarding in place, and if access to the fan becomes necessary (due to blockage etc.,) disconnect the machine from the mains supply and ensure the fan has come to a complete stop before putting your hands anywhere near it.

If you are not using 'clear' extraction hose, periodically remove the hose to check that the inlet to the machine is not getting restricted. The safety guard grill of the inlet duct can be particularly irksome in this way, as long strand shavings etc., can wrap around the grill fret.



**UNDER NO CIRCUMSTANCES SHOULD CHILDREN BE ALLOWED IN WORK AREAS. KEEP THE WORK AREA AS UNCLUTTERED AS IS PRACTICAL, THIS INCLUDES PERSONNEL AS WELL AS MATERIAL.**

**KEEP** the particle filter clean. The machine relies on its ability to 'blow' air through the filter to generate good suction. If the particle filter starts to clog this reduces the air flow and the machine becomes less efficient.

The particle filter can be cleaned by using an 'M' class vacuum cleaner clean the inside of the filter.

**BE AWARE** that in dry air periods or areas the movement of the air through the machine can generate static electric fields. These are not normally a problem as the machine is bonded together via its construction and the whole is earthed back through the electrical supply. Problems can occur, however with isolated items such as stands or hosing that are insulated from the ground (standing on rubber feet, suspended in the air etc). If possible, try to connect everything together electrically to eliminate static shocks. Use the integral metal coil in flexible hosing to connect the units together.

Try to route the power cable and the hosing away from busy walkways.



**WARNING! KEEP TOOLS AND EQUIPMENT OUT OF THE REACH OF YOUNG CHILDREN.**



**ONLY USE DUST EXTRACTION BAGS WITH THIS MACHINE NOT DOMESTIC WASTE BAGS!**

## SPECIFICATION

Code	107695
Model	AW37E
Rating	Workshop
Power	230V 50Hz 750W 1ph
Air Flow	640 m <sup>3</sup> /hr @ 100mm
Filtration	30 micron
Sound Power Level	70 dB(A) (1.5 dB)
Hose Diameter	100mm
Bag Capacity	37 litre
Overall L x W x H	1,100 x 380 x 415mm
Weight	22kg

## ASSEMBLY

Having unpacked your machine and all its components, please check against the 'What's Included' on page 3. If any parts are missing please contact our technical department on 03332 406406. Having unpacked the machine and checked it over please recycle any unwanted packaging in a responsible manner.

Please assemble the extractor as follows:-

### Step 1



• Locate the dust extractor (A) and castor wheels (G).

### Step 2



• Mount the four, castor wheels (G) to each corner of the extractors base plate assembly (A).

**Step 3**



• Locate the outlet duct and gasket (C) assembly and remove the bolts nuts and washers.

**Step 4**



• Position the rubber gasket onto the fan's outlet housing and secure the outlet duct assembly (C) over the housing using the bolts nuts and washers you removed earlier.

**Step 5**



• Remove the two thread bolts on the handle (F). Line up the holes with the pre-drilled holes to the rear of the fan housing and secure in position with the two bolts.

**Step 6**



• Locate the inlet grill (D) and remove the three Phillips screws from around the inlet duct.

# ASSEMBLY

## Step 7



- Introduce the inlet duct (D) over the inlet fan housing. Line up the holes and replace the Phillips screws to secure it in position.

## Step 8



- Locate one dust bag (B) and the large clip (E).

## Step 9



- Open up the dust bag and introduce the large clip (E) over the bag's opening. Insert the dust bag (B) over the outlet duct (C) tighten the large clip to secure the dust bag in position. Clear all tools away.



**WARNING! KEEP TOOLS AND EQUIPMENT OUT OF THE REACH OF YOUNG CHILDREN.**

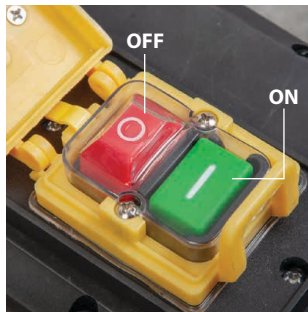
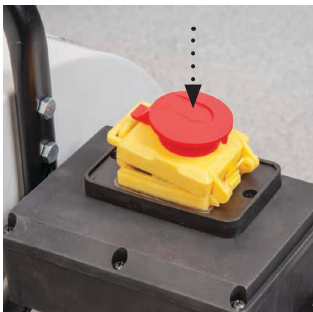


**CONNECT THE EXTRACTOR TO MAINS SUPPLY.**

Open the switch shroud on the extractor and press the 'GREEN' button to switch on. Check that everything is working correctly then switch off the extractor by pressing the 'RED' button. Disconnect the machine from the mains supply.



# ILLUSTRATION AND PARTS DESCRIPTION



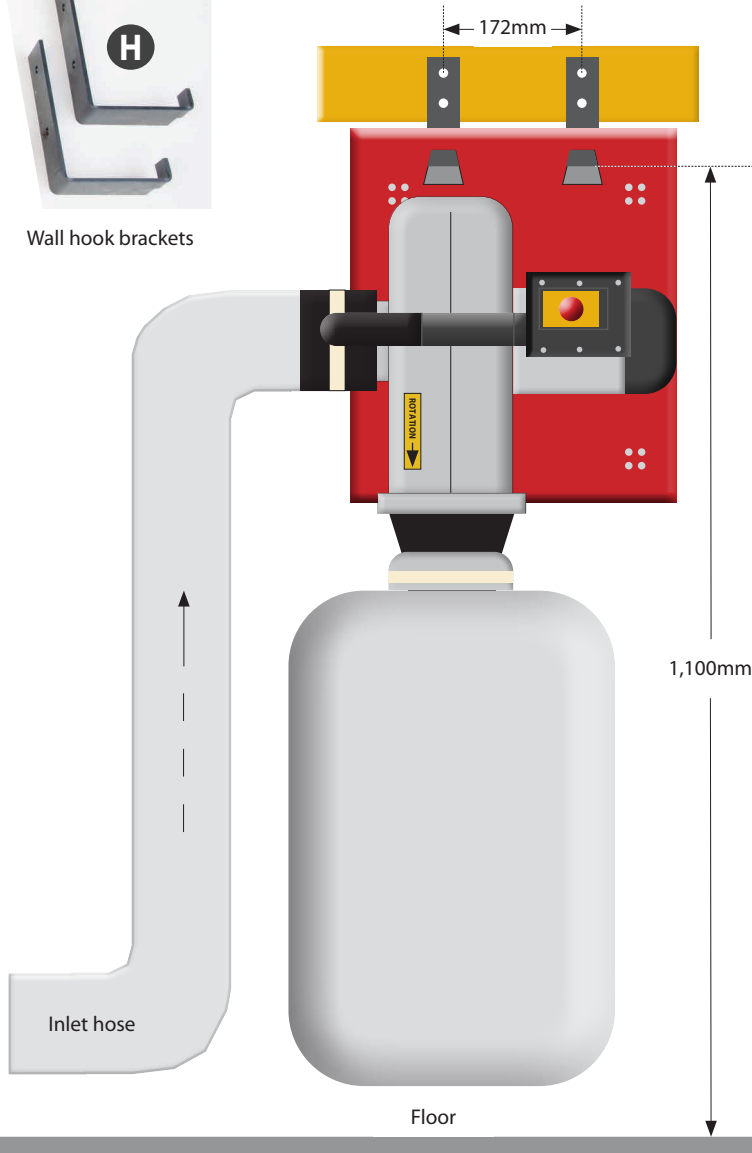
## WALL MOUNTING

---





Wall hook brackets



Locate the wall mounting brackets (H) and fasten to the wall, using wall plugs and screws. The position of the wall brackets needs to be 172mm (centre to centre) with the 'hook' of the brackets at least 1,100mm above the floor.

## MAINTENANCE

---



**DISCONNECT THE EXTRACTOR FROM THE MAINS SUPPLY BEFORE CONTINUING.**



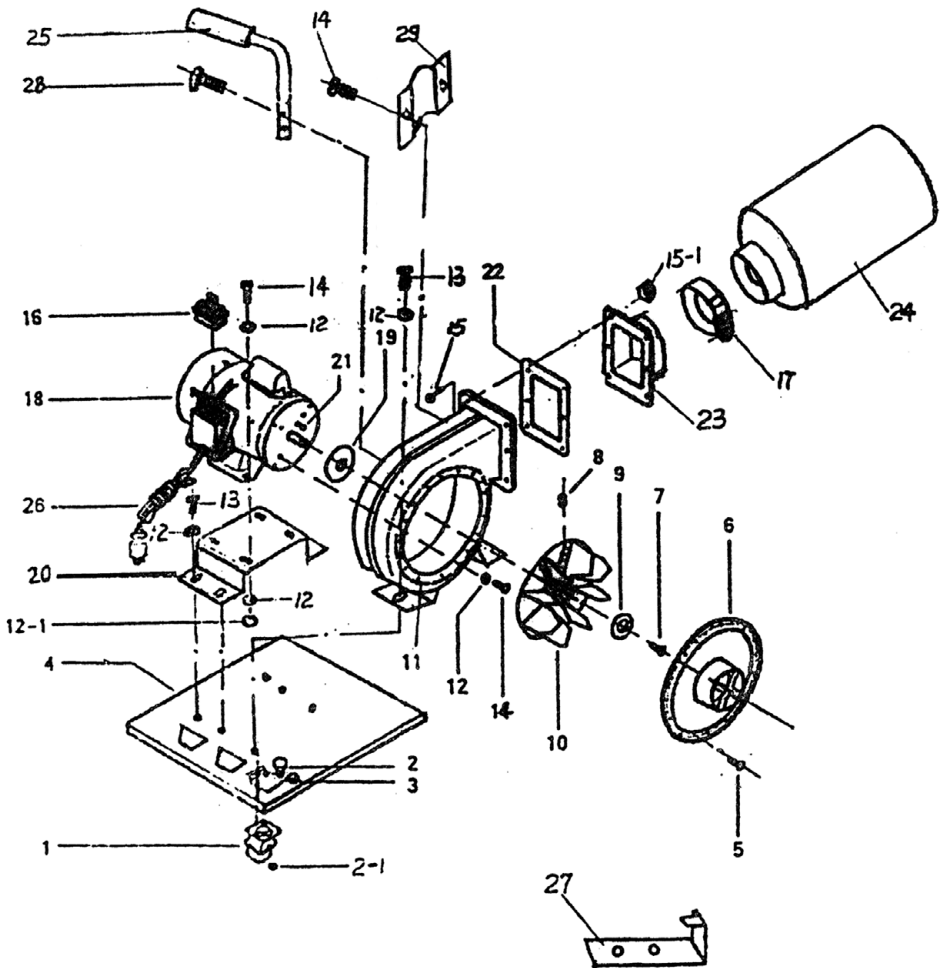
**ALWAYS WEAR A DUST MASK AND EYE PROTECTION WHEN CLEANING THE EXTRACTOR.**

### Daily

- Empty the collection bag before it overflows; wear a dust mask whilst removing and emptying the bag.

### Weekly

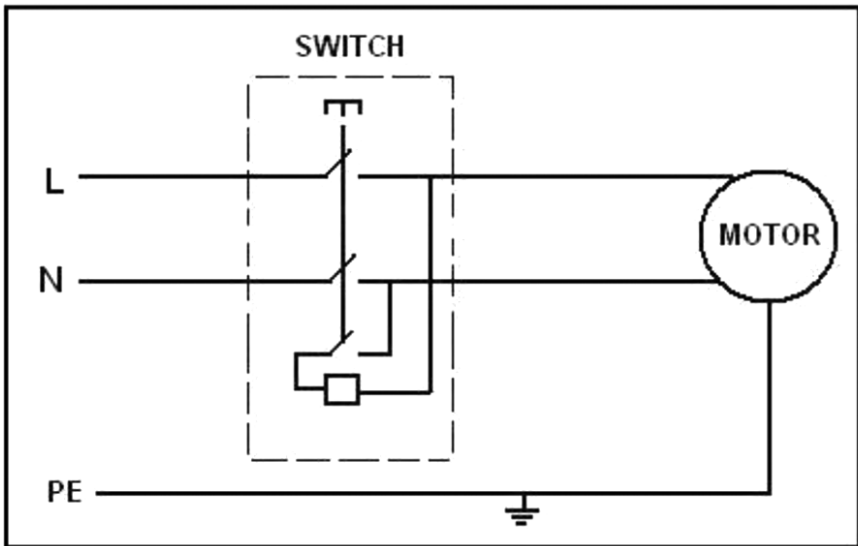
- Check the inlet and outlet duct and remove any accumulated sawdust.
- Check the inlet hoses for splits and cracks; repair as necessary.
- Check the dust collection bag for wear and tear, especially around the neck of the retaining clip. If wear or fraying is occurring, replace the bag.
- Check the motor for dust, sawdust, shavings etc, build up. If this has occurred, clean with a 'M' class vacuum cleaner.



## EXPLODED DIAGRAMS/LISTS

PART NO	DESCRIPTION	SIZE	QTY
1	CASTER		4
2	SCREW PAN. HEAD.	M6X16	16
2-1	NUT	M6	16
3	SPRING WASHER	ø6	16
4	BASE PLATE		1
5	SCREW PAN. HEAD.	M5X10	12
6	INLET COVER		1
7	SCREW HEX.SOCKET. HEAD.	M6 X 20L(L.H.)	1
8	SET SCREW SOCKET. HEAD.	M8X10	2
9	WASHER		1
10	TURBO FAN		1
11	FAN HOUSING		1
12	WASHER	ø8	18
12-1	NUT	M8	6
13	SCREW HEX. HEAD.	M8X10	6
14	SCREW HEX. HEAD.	M8X15'	12
15	SCREW HEX. HEAD.	M6X15	6
15-1	NUT	M6	6
16	NVR SWITCH		1
17	CLAMP		1
18	MOTOR		1
19	PACKING		1
20	COLUMN & MOTOR PLATE		1
21	KEY	5X5X30	1
22	GASKET		1
23	OUTLET DUCT		1
24	DUST BAG		1
25	HANDLE		1
26	POWER CORD		1
27	HOOK BRACKETS		2
28	SCREW HEX. HEAD.	M6X25	2
29	BRACKET		1

**WIRING DIAGRAM (230V/50Hz 1 phase)**



## The Axminster guarantee

Buy with confidence from Axminster!

So sure are we of the quality, we cover all parts and labour free of charge for three years!



For more information visit [axminstertools.com/3years](https://axminstertools.com/3years)

---



The packaging is suitable for recycling.  
Please dispose of it in a responsible manner.



### EU Countries Only

Do not dispose of electric tools together with household waste material.  
By law they must be collected and recycled separately.



Axminster Tools, Axminster Devon EX13 5PH

[axminstertools.com](https://axminstertools.com)