

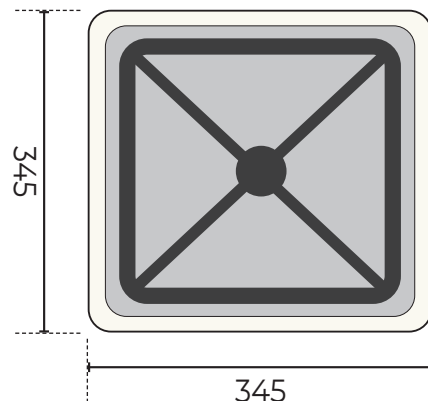
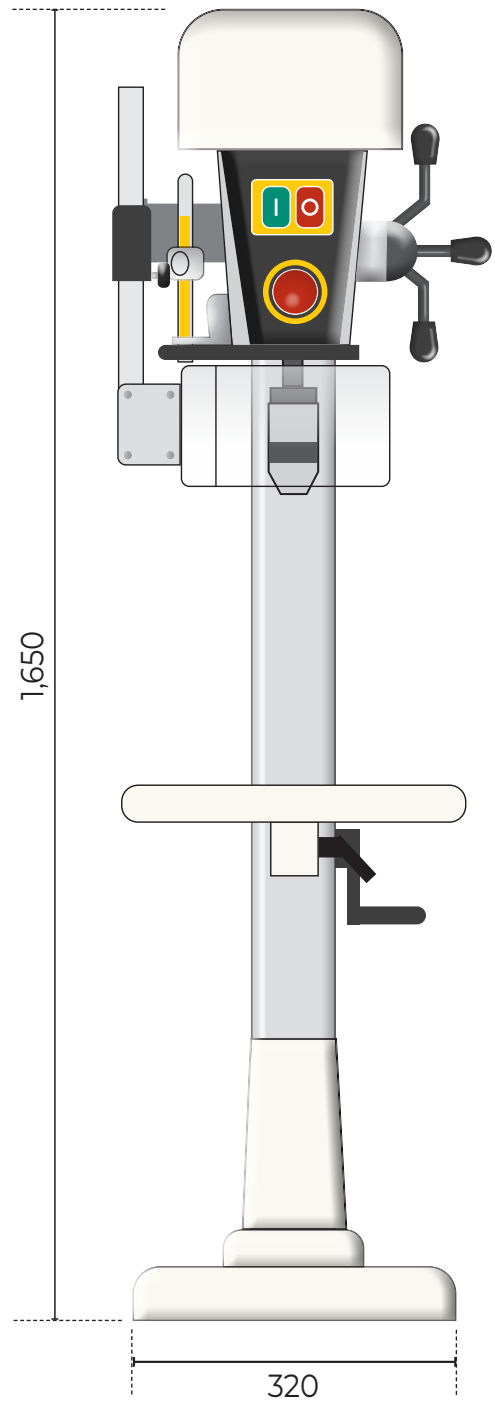
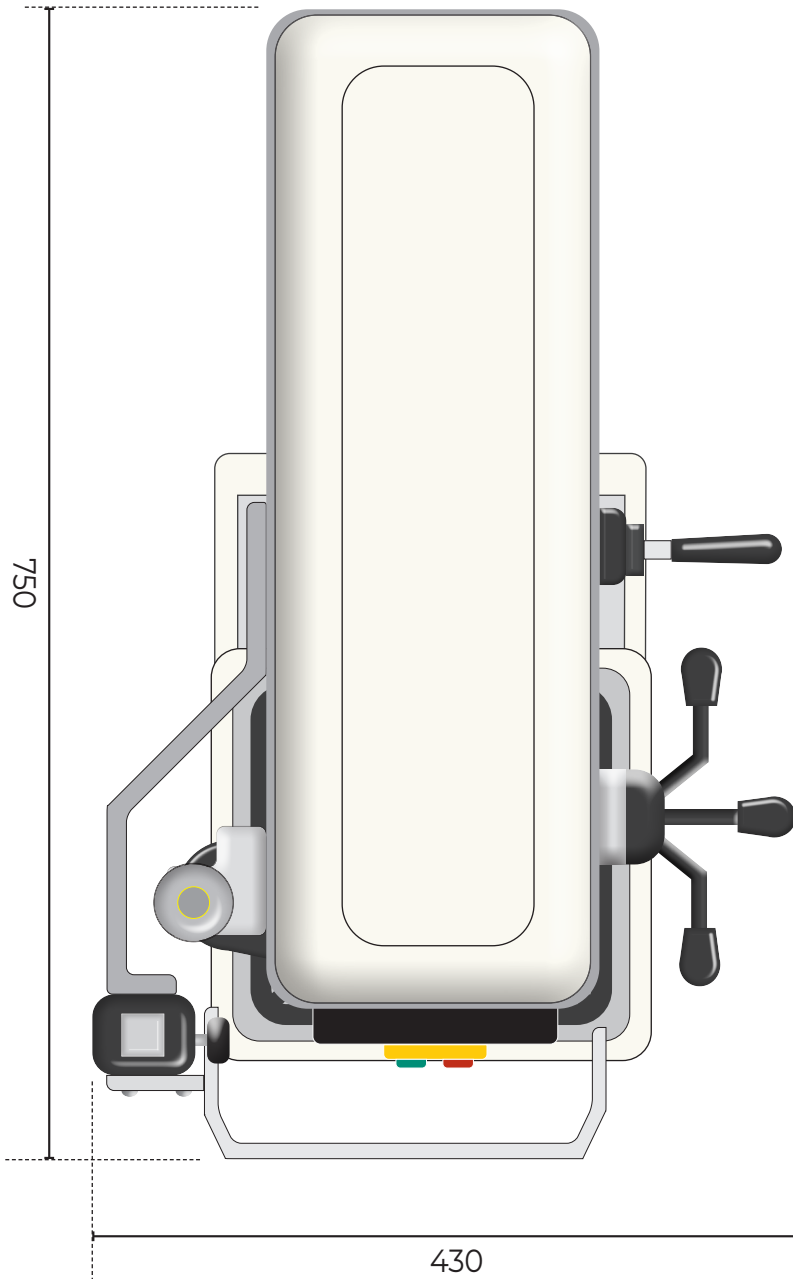
AP700PD FLOOR PILLAR DRILL 107706

All dimensions in mm

Maximum Length: 750
Maximum Width: 430
Maximum Height: 1,650
Table Size: 345 x 345

AXMINSTER

PROfessional



Available as a PDF download