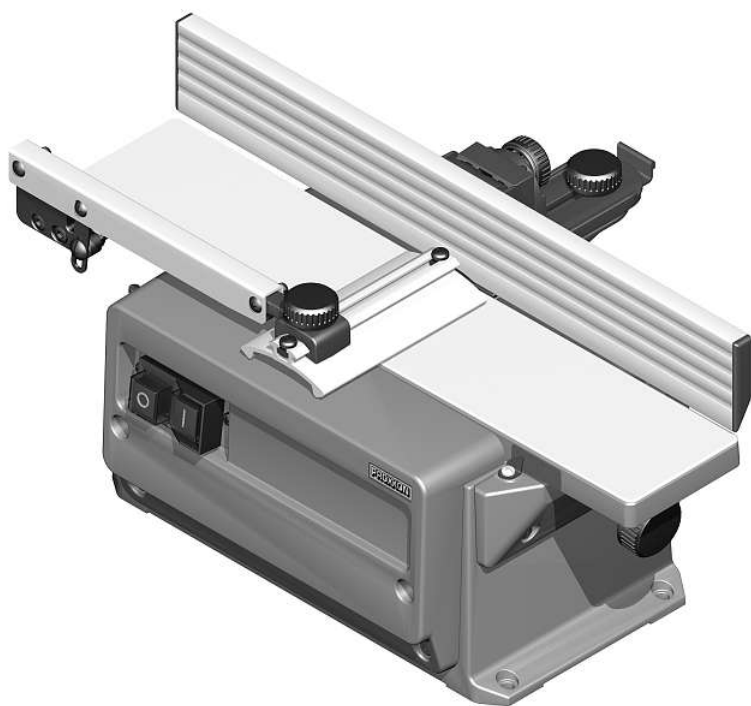


# PROXXON

AH 80



Manual

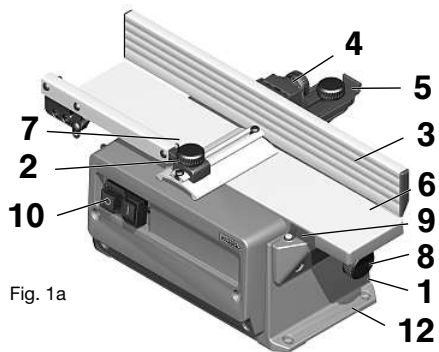


Fig. 1a

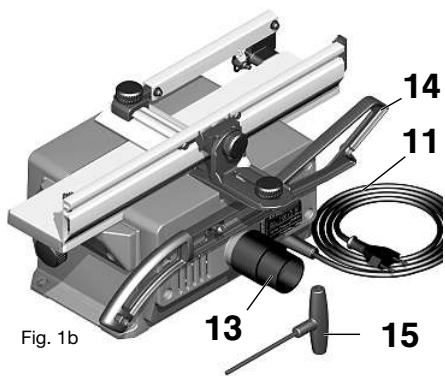


Fig. 1b

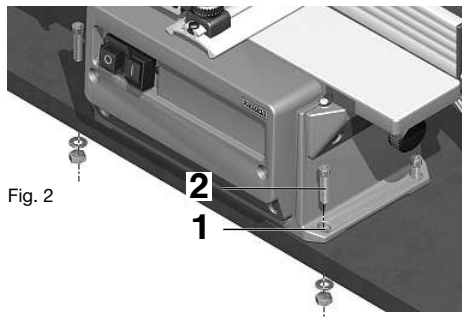


Fig. 2

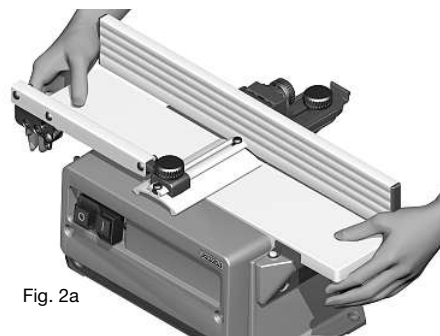


Fig. 2a

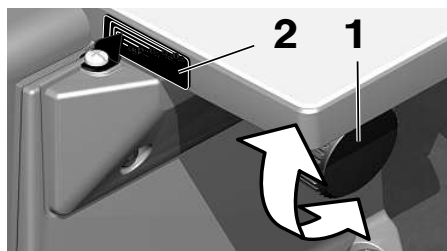


Fig. 3

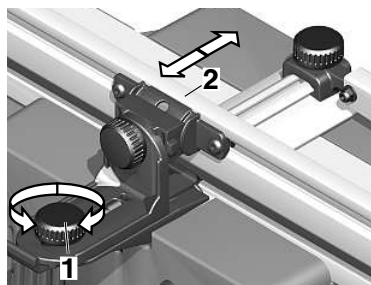


Fig. 4a

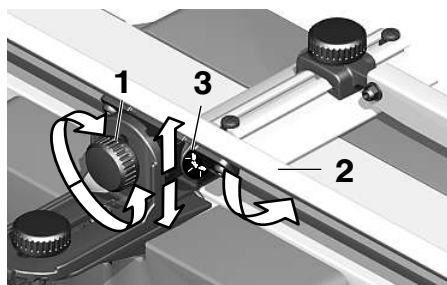


Fig. 4b

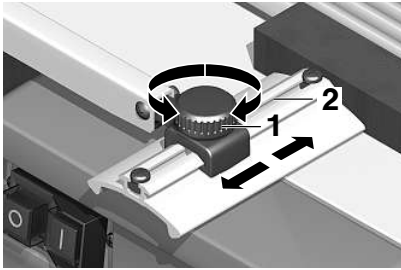


Fig. 5

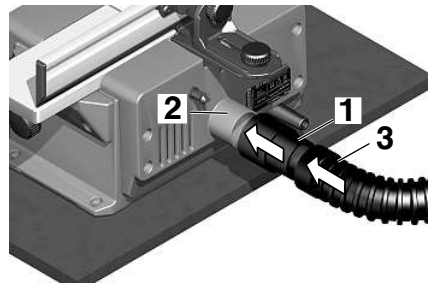


Fig. 6

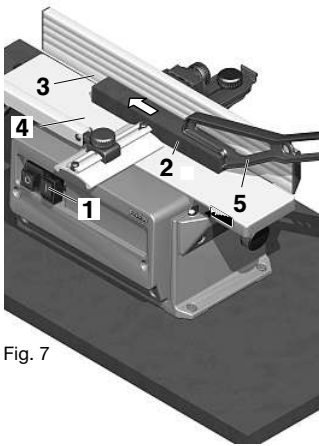


Fig. 7

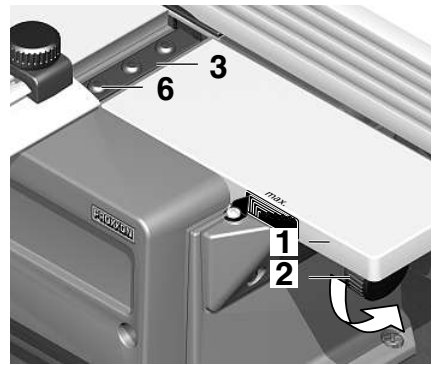


Fig. 8a

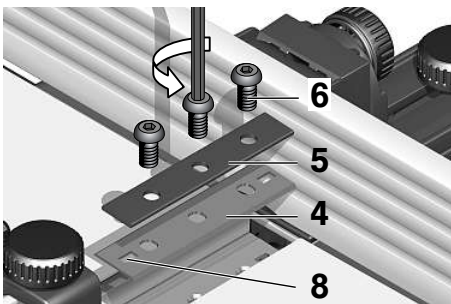


Fig. 8b

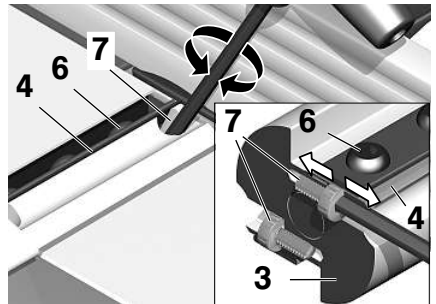


Fig. 8c

# **GB** Translation of the Original Operating Instructions Surface Planer AH 80

## **Preface**

The use of these instructions:

- **Makes it easier** to become acquainted with the device.
- Prevents malfunctions due to improper handling, and
- **Increases** the service life of your device.

Always keep these instructions close to hand.

Only operate this device with exact knowledge of it and comply with the instructions.

PROXXON will not be liable for the safe function of the device for:

- handling that does not comply with the usual intended use
- other application uses that are not stated in the instructions
- disregard of the safety regulations
- operating errors
- lack of maintenance
- use of non-PROXXON spare parts

For your safety, please comply with the safety guidelines without fail.

Only use original PROXXON spare parts. All rights reserved for further developments in the course of technical progress. We wish you much success with the device.

## **Contents**

Preface	12
Safety notes:	12
Overview of machine	13
Legend (Fig. 1)	13
Description of the machine	14
Scope of delivery	14
Technical data of the AH 80:	14
Set-up and commissioning	14
Setting up the device (fig. 2):	14
Adjusting the planing depth (Infeed) Fig. 3:	14
Adjusting the planing width (Fig. 4a):	15
Adjusting the mitre angle (Fig. 4a):	15
Adjusting the blade guard (Fig. 5):	15
Restart protection	15
Planing (Fig. 7)	15
Repair and Maintenance	16
Replacing or reversing the planing knife (Fig. 8):	16

Adjusting the planing knife	16
Lubrication	16
Cleaning and Care	16
Disposal:	17
EC Declaration of Conformity	17
Exploded views	77

## **Safety notes:**

### **Avoid untidiness in your working area.**

An untidy working area always means an increased risk of accident. Remember to clean your working area of wood chips from time to time as well as during operation.

### **Fasten the device to a solid surface and make sure it is even.**

In any case make sure that the device cannot fall down or tilt during operation. Drill holes have been provided in the foot for this purpose so that the planer can be screwed down to the surface.

### **Check the device for signs of damage before each use.**

Always check the cutting tools, the safety mechanisms, the connecting cable and the plug every time before you start up the planing machine.

Please note: Defective parts, particularly damaged safety devices, may only be replaced by a specialist or the PROXXON customer service. Only use original Proxxon spare parts.

### **Do not manipulate your planing machine!**

Do not make any changes to the machine and do not manipulate anything! Changes or manipulations could impair mechanical and electrical safety, but your safety in particular could also be at risk due to electric shock and further adverse effects. Injuries and material damage could be the result.

### **Never work without the designated safety mechanisms.**

Always make sure that all housing covers of the planer are closed during operation and that the safety mechanisms work faultlessly.

### **Pay attention to environmental conditions!**

Use the planer only in dry environments and never in the vicinity of combustible liquids or gases. Make sure you have good lighting!

### **Wear a mask and only operate the planing machine in well ventilated rooms!**

If inhaled, the dust from some of the woods being processed could be hazardous to your health. Therefore, take the appropriate precautions and wear a mask.

### **Wear protective goggles!**

### **Inspect the work piece very closely before planing!**

Check the work piece you wish to plane for any inclusions, such as nails, screws, stone, etc., and remove them! In particular, metal parts that are embedded in the work piece can severely damage the shafts and knives in your planing machine and render it useless. The work piece might possibly splinter, Caution: Risk of injury!

The slide faces on the planing table can become scratched and thus lead to impaired function. Heavy damage can occur if the knife shaft comes into contact with a metal object!

### **Use a "push block" when planing extremely short work pieces!**

To avoid being injured by the recoil mechanism of the knife shaft, please use a "push block" to introduce the work piece into the planer.

### **Wear hearing protection!**

The sound pressure level when working with the planing machine can exceed 85 dB (A), therefore always work with hearing protection!

### **Wear suitable working clothes!**

When working, never wear loose clothing, such as neckties or scarves, as it could get caught on one of the moving parts or automatically moving work piece during operation and cause injuries. Wear a hairnet if you have long hair and remove your jewellery.

### **Do not use any damaged or deformed reverse knives.**

Make absolutely sure the reverse knives in the planing shaft are in perfect condition. Visually check for this intact condition before each use and use only Proxxon spare parts for replacements!

### **Keep children and non-participants away from the working area.**

Make sure that children and non-participants maintain an appropriate safety distance! Youths below the age of 16 may only use the planer under professional instruction and for purposes of schooling. When not in use, keep the planing machine out of the reach of children!

### **Do not overstress your tool.**

Naturally, you will only achieve optimal work results within the performance range for which the machine is designed! Therefore, avoid too large an infeed! Instead, follow the recommendations for correct infeed given by the table on the device. Do not misuse the device, and do not use it for work for which it is not intended.

### **Always be prudent and attentive!**

Observe the device during work and proceed reasonable. Do not use the tool if you are distracted, tired, or if you have consumed alcohol.

### **Handle the connecting cable with care!**

Protect the connecting cable from heat and sharp edges, and lay the cable so that it cannot be damaged. Do not pull on the cable to disconnect the plug from the

socket outlet, and do not lift the device by the cable. Ensure cleanliness: Protect the cable from grease and oil!

### **Pay attention to the shape of the work piece!**

Extremely curved or otherwise very irregularly shaped work pieces may not be planed! It is possible that the contact to the planing table is insufficient!

### **Please wear a dust mask!**

Some types of wood or even varnish residues (or similar) can generate harmful dusts while working. If you are unsure of the harmlessness of your planing material, please wear a dust protection mask!

### **Provide roller tables for very long work pieces!**

To avoid damage and dangerous situations, use roller tables when processing very long work pieces which must be carefully placed in the push-in or push-out direction. If connecting cables are damaged shut down the planing machine immediately and have a specialist replace them right away!

### **Clean thoroughly after work!**

### **Disconnect the mains plug!**

Always unplug the mains plug when not in use, before maintenance, when changing tools, cleaning or repairing! Cleaning also includes removing any loose chips or vacuuming off dust

### **Carefully read the operating instructions before use and keep in a safe place! .**

## **Key (Fig. 1a/b):**

---

1. Die-cast chassis
2. Cover for knife shaft
3. Longitudinal stop
4. Angle adjustment for longitudinal stop
5. Cross adjustment for longitudinal stop
6. Receiving table
7. Transfer table
8. Adjusting wheel for chip thickness
9. Chip removal indicator
10. On-off switch
11. Mains cable
12. Screw holes
13. Chip suction
14. Push-rod
15. Allen keys

## Description of the machine

---

The AH 80 PROXXON surface planer is a device for fine planing work that is used to plane the irregular or rough surface of a work piece and to plane it at right angles (planed) as necessary.

The knife shaft with two high-quality HSS knives and an operating speed of 6000 revolutions per minute ensure a particularly even and smooth finish for work pieces consisting of hard and soft wood types.

The power of the motor is transferred to the knife shaft by a carefully coordinated toothed belt drive which guarantees outstanding low vibration and a long life cycle.

The sturdy, angle and cross adjustable longitudinal stop enables high flexibility when determining the processing width or the processing angle: This allows you to manufacture precise mitres using the previously adjusted angle.

The supporting construction of the plane consists of solid die-cast aluminium, guaranteeing the greatest stability.

All parts have been carefully processed and assembled and thus guarantee a maximum of precision and long life cycle.

The Proxxon team wishes you joy and success when working with your electrical device!

## Scope of delivery

---

- 1 piece Surface planing machine AH 80
- 1 piece Push-rod
- 1 piece Operating instructions
- 1 piece Brochure with safety guidelines
- 1 piece Rubber connector

## Technical data:

---

Voltage:	220 – 240 Volt
Frequency:	50 Hz
Capacity:	200 watt
Short-term operation	15 min
Max. planing width:	80 mm
Length of planing table:	approx. 350 mm
Rotational diameter of shaft:	48 mm
Plane knife length:	82 mm
Knife tooling:	2 pieces HSS reverse knife
Plane shaft speed while idling:	6000 U/min-1
Max. chip removal:	0.8 mm
Sound pressure level:	approx. 83,9 dB(A)
Sound power level:	approx. 96,9 dB(A)

General measuring uncertainty K=3 dB

Vibrations:  $\leq 2.5 \text{ m/s}^2$

### Dimensions:

Length: approx. 350 mm

Height: approx. 180 mm

Width: approx. 220 mm

Weight: approx. 5.2 kg

Only to be operated in closed rooms!



Do not dispose of the electrical device in the household waste!



Always work with hearing protection!



## Set and commissioning:

---

### **Caution:**

Possibility of unexpected start-up! This could cause cut injuries.

**Therefore, always disconnect the mains plug for all adjustment and maintenance work!**

### Setting up the device (fig. 2)

#### **Caution:**

Please check the device for any signs of damage due to transportation immediately upon unpacking! Damaged packaging may already indicate improper handling during transportation. Damage due to transportation must be claimed immediately with your dealer or the corresponding transport company!

#### **Caution:**

Always handle the device only as shown in Figure 2a!

#### **Caution !**

The surface for setting up the planer must be firm, clean and dry.

1. To set up the planing machine, remove it from the packaging and set it up on a straight and level surface. Make sure it is stable and that the machine cannot fall down during work.
2. Please note: The planer may only be operated if screwed securely to the surface! The die-cast aluminium base of the device has 4 drill holes 1 with a 6 mm diameter for this purpose (see fig. 2). We recommend M6 or M5 cheese-head screws or other appropriate screws (Item 2).

## Adjusting the planing depth (Infeed) Fig. 3:

The twist grip (Fig. 3) is used to adjust the planing depth. The set planing depth can be read on Scale 2 at the front side of the table.

### **Caution!**

Your planer may be a solidly and robustly constructed machine, but it has been designed for primarily fine and precision work. Therefore, always choose the planing depth in dependence on the work piece width and the wood to be planed!

Do not overstress the planer by processing harder wood types with too great an infeed and corresponding width of the work piece for a longer period of time, rather, please note that you must appropriately reduce the planing depth for a greater planing width as well as for a hard wood type!

Otherwise, the result would be an unsatisfactory planing surface, a higher load to the mechanics of the device as well as increased wear!

### **Always remember:**

Rather work with a smaller planing depth, but plan for several more processing operations!

### **Caution:**

Slots, tenons or cavities cannot be shaped with the machine! These are not intended and too dangerous tasks for the work with this device!!

### **Caution:**

Always work on the work piece about the full length, never stop the work midway! First complete the planing before stopping! Always ensure that the work piece is processed to its full length!

## **Adjusting the longitudinal stop**

### **Adjusting the planing width (Fig. 4a):**

1. Loosen knurled screw 1
2. Push longitudinal stop 2 to the desired position
3. Retighten knurled screw 1!

### **Adjusting the mitre angle (Fig. 4a):**

1. Loosen knurled screw 1
2. Turn longitudinal stop 2 to the desired angle position. Please use angle scale 3 as an aid. Please note that the height of the limit stop may also have to be adjusted by pushing up or down.
3. Retighten knurled screw 1!

### **Adjusting the blade guard (Fig. 5):**

#### **Warning!**

Never work with a damaged or disassembled blade guard! Defects of safety installations must be eliminated immediately! Serious injuries could be the result!

1. Loosen knurled screw 1
2. Lightly lift the aluminium profile of the blade guard 2 against the spring pressure and move until the required planing width is revealed at the knife shaft.
3. Retighten knurled screw 1.

### **Caution:**

Those parts of the knife shaft not in use must always be covered by the guard! Risk of injury!

## **Dust extraction (Fig. 6):**

### **Caution!**

It is recommended to always work with dust extraction. Not only because the dust of some of the wood types to be processed can be hazardous to your health, but removing the dust or chips from the inside of the device will protect the mechanics and ensure its functionality. A vacuum cleaner can be connected to a suction connection at the rear of the device for this purpose, see Fig. 6:

1. Push the rubber connecting piece 1 onto the suction connection 2
2. Insert vacuum cleaner nozzle 3 in rubber connecting piece

### **A tip on this matter:**

When using the Proxxon CW-matic vacuum cleaner, manual switching on and off is no longer necessary. The CW-matic is equipped with an automatic control device which switches on and off automatically when the power tool is switched on and off.

## **Planing (Fig. 7)**

---

### **Restart protection**

#### **Caution!**

For safety reasons, the planer is equipped with a so-called restart protection: In case of brief voltage interruptions during operation, the planer will not restart automatically for safety reasons. But in this case, the planer can be started normally with the On button.

#### **Caution**

Before inserting the mains plug, please check if the information on the rating plate matches the local conditions of your mains supply. If they do not match, damage or hazards may result during work!

#### **Caution**

Always wear hearing protection and protective goggles while working!

#### **Caution**

Always operate the planer from the front, i.e. from the position as shown in Fig. 7 so that you are always in optimal control of the work piece.

Stand in front of the device while working! Never work with your AH 80 from the side or even from behind. Ensure sufficient stability while you work! Important: The feed direction of the work piece is from right to left!

1. Switch on the machine at switch 1
2. Push the planing piece 2 from right to left over the knife shaft as shown in the figure. While doing so, exert light pressure with the work piece on the transfer table 4 and longitudinal stop .
3. For smaller work pieces, use the supplied push-rod 5.

### ***Another tip:***

If you have achieved a level surface after several processing operations, it is recommended to run several more operations using a smaller infeed for a better surface quality.

## **Repair and Maintenance**

---

### ***Danger!***

Always disconnect the mains plug for any adjustment work! Risk of serious injuries or damage due to inadvertent starting up of the device, or hazard due to electric shock!

### **Replacing or reversing the planing knife (Fig. 8):**

The knife shaft of your planer is equipped with 2 reverse knives for the best surface quality. Each of the utilised planing knives has two cutting edges (reverse knife). If the first becomes worn or damaged, you may simply remove the knife, reverse it and use the other side. If this is not sharp enough either, then please insert new knives. Please remember to always use or replace the knives in pairs! You will find replacement knives in specialist shops.

Use only the spare knives intended for the machine!

### ***Danger***

It is not permitted to sharpen used planing knives! Please, always replace or reverse them! Immediately replace damaged planing knives!

### ***Danger***

Please handle the knives with extreme caution as they are extremely sharp! Risk of injury!

1. Set the receiving table 1 (Fig. 8a) to the lowest position using knurled screw 2 in order to optimise the accessibility to the knife shaft.
2. Turn the knife shaft 3 to a position to where the Allen screws 6 can be easily accessed.
3. Use an Allen key to loosen the three screws 6 and unscrew them (Fig. 8b).
4. Remove the knife holder 5 with knife 4
5. Replace or turn knife.
6. Insert knife 4 with knife holder 5. Pay close attention to the correct position of the cutting edge! Please note that the screw head of the screws 7 (Fig. 8c) project into the designated opening 8 of the knife holder.
7. Screw in screws 6 and tighten
8. Repeat the procedure for the second knife
9. Put receiving table 1 back into the required position using knurled screw 2.

### ***Caution!***

Please note that the Allen screws Item 7 must remain fixed in position! The knife height has been set by the factory. If it is changed, the knives will have to be readjusted!

## **Adjusting the planing knives**

---

### ***Danger!***

Always disconnect the mains plug for any adjustment work! Risk of serious injuries or damage due to inadvertent starting up of the device, or hazard due to electric shock!

Decisive for a clean and even cut is the alignment of the planing knives. This is adjusted by the Allen screw 7 in the knife shaft.

The knives have been correctly adjusted in the factory and normally do not need to be readjusted.

But if it becomes necessary whatever the reason (e.g. due to previous, inadvertent misadjustment) to adjust the position of the knives, please proceed as follows:

1. Set the receiving table 1 (Fig. 8a) to the maximum planing depth using knurled screw 2 in order to optimise the accessibility to the knife shaft.
2. Carefully turn the knife shaft 3 to a position to where the hexagon screws 6 can be easily accessed.
3. Use an Allen key to slightly loosen the three screws 6.
4. Turn the Allen screw 7, as shown in Fig. 8c, to adjust the position of the knives 4.
5. After successful adjustment, tighten screws 6 again and repeat the procedure for the second knife if necessary.

### **Lubrication**

Additional lubrication for operation is normally not necessary!

## **Cleaning and Care**

---

### ***Caution!***

Please disconnect the mains plug before any cleaning work!

The mechanics of the surface planer is maintenance-free to a great extent. We only recommend that you comply with the following described instructions so that you can enjoy the device for as long as possible and to guarantee its perfect functioning!

During maintenance work, please also comply with the safety notes printed in the instructions!

The planer must be cleaned from planing chips after each use and depending on the accumulated dust and chips.

This is best done with a vacuum cleaner to clean the planer and the work environment.

Furthermore, a brush or small hand brush can be of service here

The outside of the housing can be cleaned with a soft, maybe damp cloth. It is possible to use mild soap or another suitable cleaning agent. Solvents or cleaning agents containing alcohol (e.g. petrol, cleaning alcohols



etc.) should be avoided, since these can attack the plastic cases.

## **Disposal:**

---

Please do not dispose of this machine in household refuse! The device contains materials that can be recycled. If you have any questions about this, please contact your local recycling company or other relevant communal institutions.

## **Warranty provisions**

---

All PROXXON products are thoroughly inspected after production. Should a defect occur nevertheless, please contact the dealer from whom you purchased the product. Only the dealer is responsible for handling all legal warranty claims which refer exclusively to material and manufacturer error.

Improper use, such as capacity overload, damage due to outside influences and normal wear are excluded from the warranty.

You will find further notes for each country regarding "Service and Spare Parts Management" at [www.proxxon.com](http://www.proxxon.com).

## **EC Declaration of Conformity**

Name and address:

PROXXON S.A.  
6-10, Härebiërg  
L-6868 Wecker

Product designation: Surface planer AH 80  
Article No.: 27044

In sole responsibility, we declare that this product conforms to the following directives and normative documents:

### **EU EMC Directive 2004/108/EC**

DIN EN 55014-1 / 05.2012  
DIN EN 55014-2 / 06.2009  
DIN EN 61000-3-2 / 06.2011  
DIN EN 61000-3-3 / 06.2009

### **EU Machinery Directive 2006/42/EC**

DIN EN 61029-1: 2009+A11: 2010  
DIN EN 61029-2-3 / 01.2012  
DIN EN ISO 12100: 2010

Date: 10.07.2012



Dipl.-Ing. Jörg Wagner

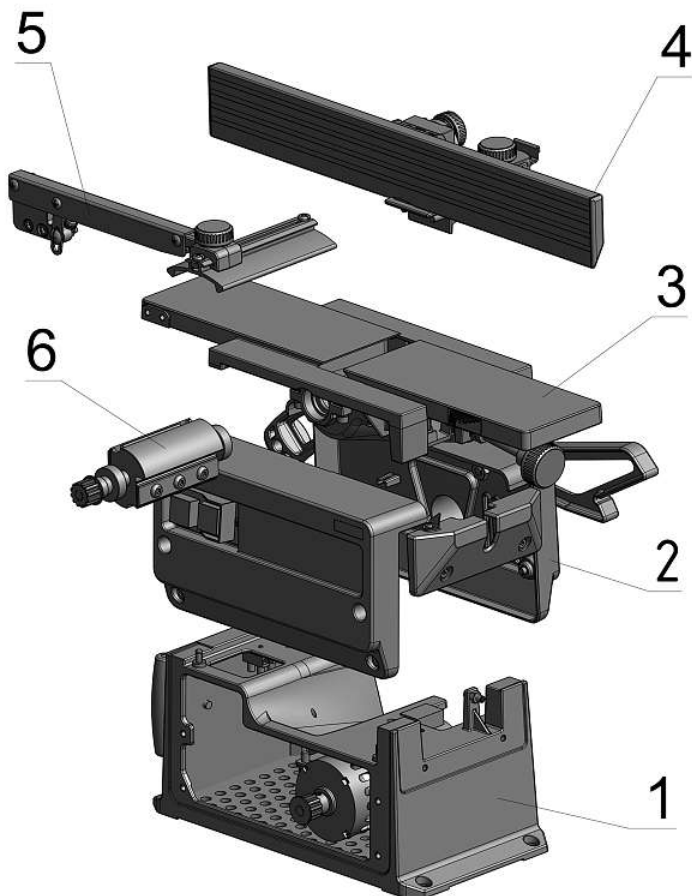
PROXXON S.A.  
Machine Safety Department

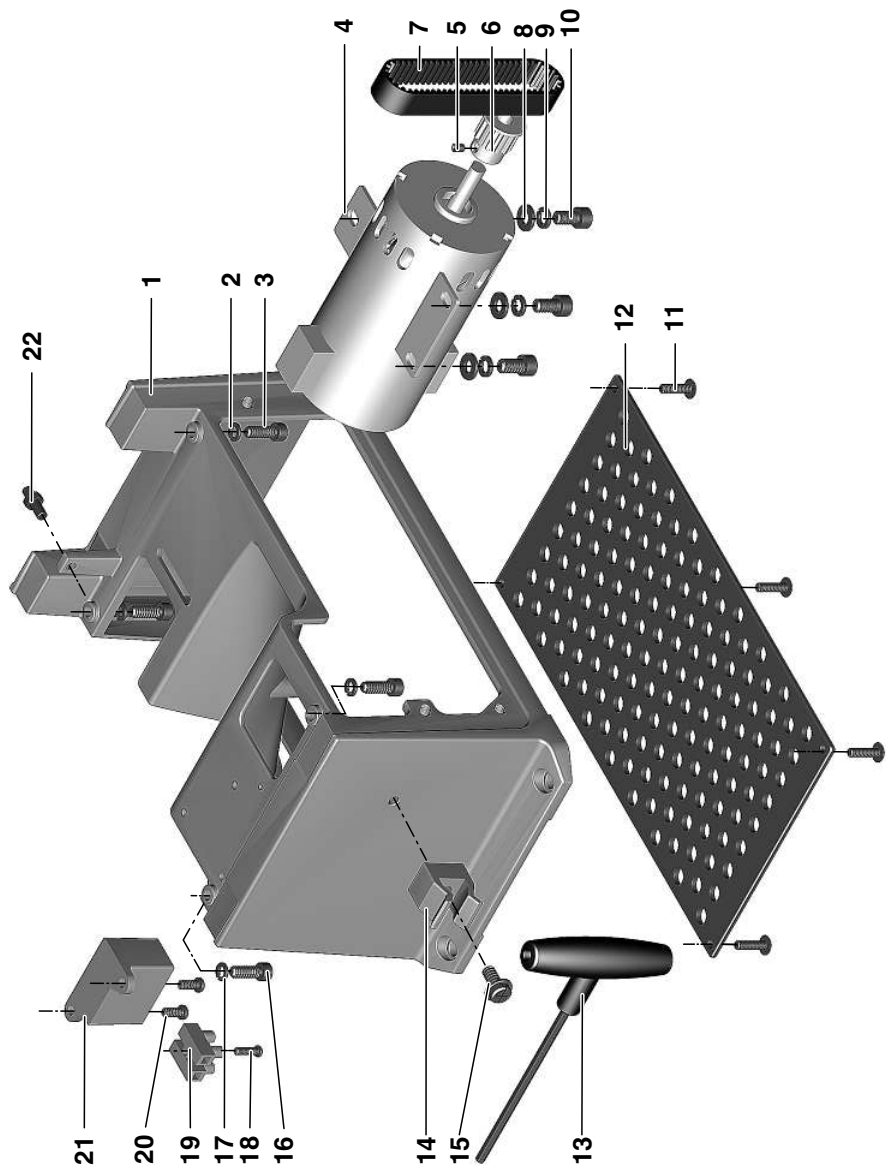
The CE document authorized agent is identical with the signatory.

## Spare Parts List

---

ET-Nr.:	Description
27044-01	Base and Motor
27044-02	Casing
27044-03	Table
27044-04	Stop
27044-05	Blade guard
27044-06	Blade shaft

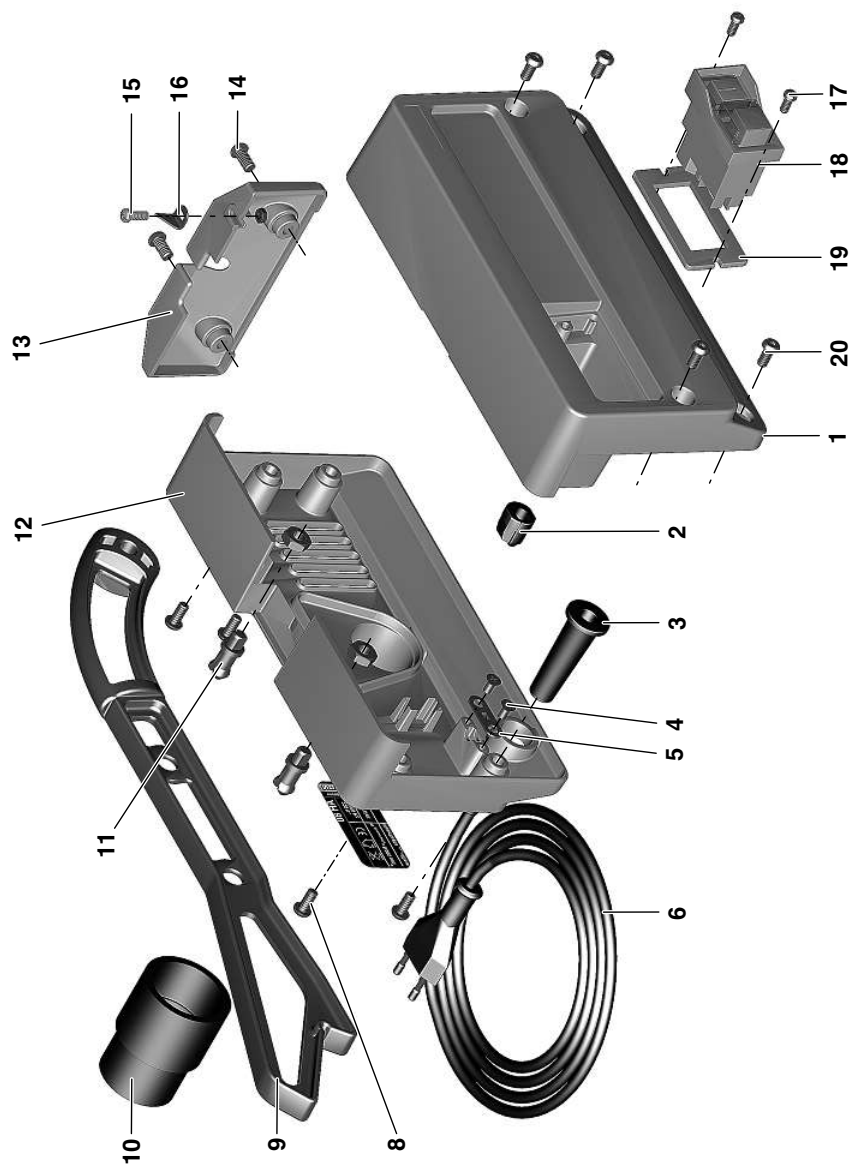




## Spare Parts List

---

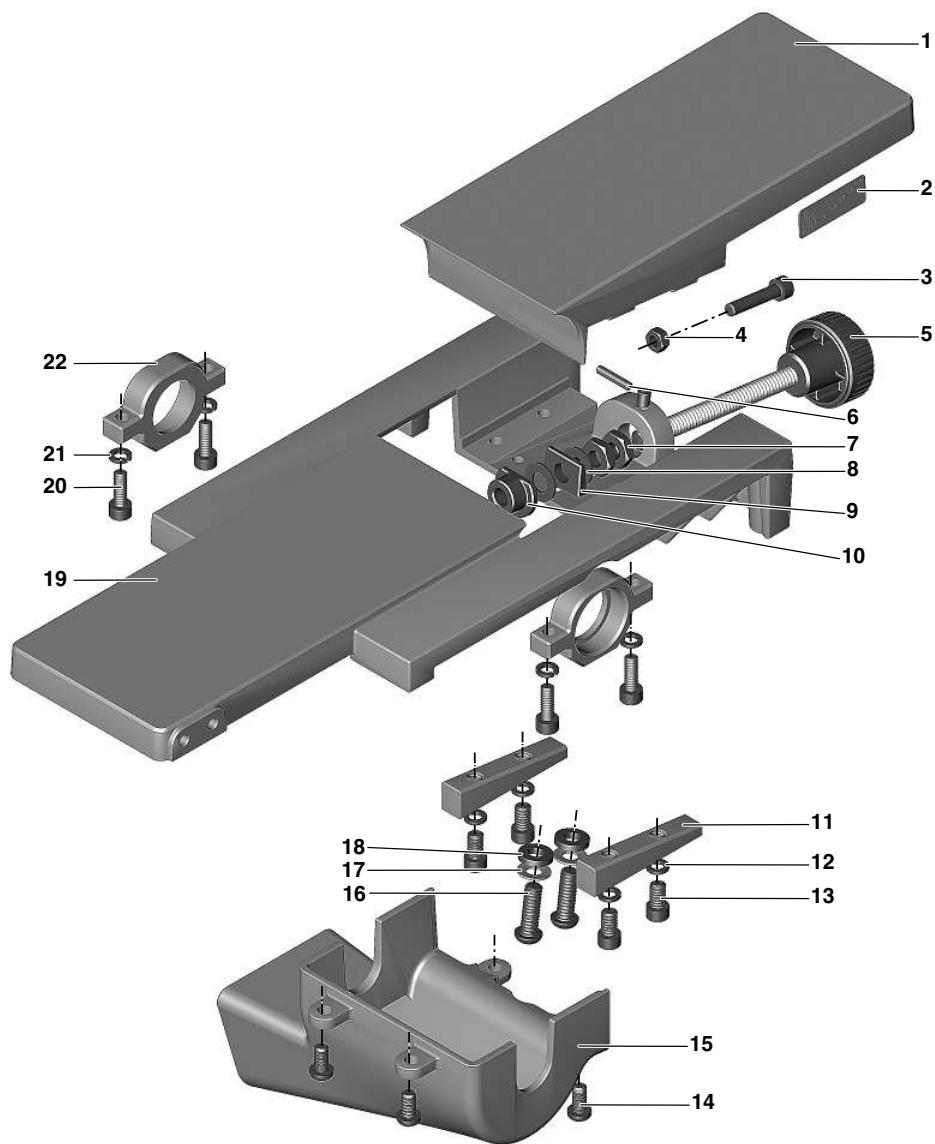
ET-Nr.:	Description
27044 - 01 - 01	Base
27044 - 01 - 02	Spring washer
27044 - 01 - 03	Screw
27044 - 01 - 04	Motor
27044 - 01 - 05	Madenschraube
27044 - 01 - 06	Pouilly
27044 - 01 - 07	Toothed belt
27044 - 01 - 08	Washer
27044 - 01 - 09	Spring washer
27044 - 01 - 10	Screw
27044 - 01 - 11	Screw
27044 - 01 - 12	Covering plate
27044 - 01 - 13	Handle collar
27044 - 01 - 14	Clips
27044 - 01 - 15	Screw
27044 - 01 - 16	Screw
27044 - 01 - 17	Spring washer
27044 - 01 - 18	Screw
27044 - 01 - 19	Terminal strip
27044 - 01 - 20	Screw
27044 - 01 - 21	Board
27044 - 01 - 22	Bolt



## Spare Parts List

---

ET-Nr.:	Description
27044 - 02-01	Front cover
27044 - 02-02	Cable conduit
27044 - 02-03	Tension relief
27044 - 02-04	Screw
27044 - 02-05	Clamp
27044 - 02-06	Rear cover
27044 - 02-07	Mains cable
27044 - 02-08	Screw
27044 - 02-09	Push stick
27044 - 02-10	Rubber hose
27044 - 02-11	Clips
27044 - 02-12	Nut
27044 - 02-13	Cover
27044 - 02-14	Screw
27044 - 02-15	Screw
27044 - 02-16	Pointer
27044 - 02-17	Screw
27044 - 02-18	On-off-switch
27044 - 02-19	Strip
27044 - 02-20	Screw

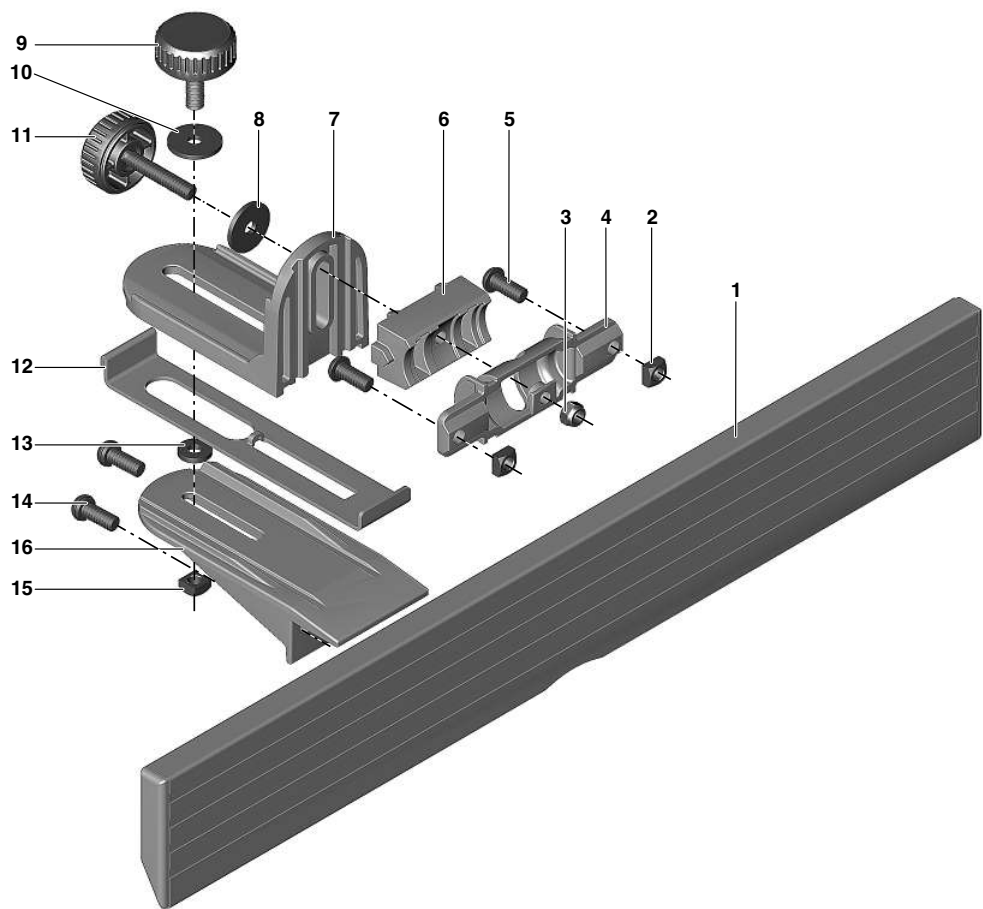


## Spare Parts List

---

ET-Nr.:	Description
27044 - 03- 01	Infeed-Table
27044 - 03- 02	Label
27044 - 03- 03	Screw
27044 - 03- 04	Nut
27044 - 03- 05	Spindle
27044 - 03- 06	Pin
27044 - 03- 07	Nut
27044 - 03- 08	Washer
27044 - 03- 09	Sliding part
27044 - 03- 10	Bushing
27044 - 03- 11	Sliding part
27044 - 03- 12	Scheibe
27044 - 03- 13	Screw
27044 - 03- 14	Screw
27044 - 03- 15	Cover
27044 - 03- 16	Screw
27044 - 03- 17	Washer
27044 - 03- 18	Washer
27044 - 03- 19	Outfeed-Table
27044 - 03- 20	Screw
27044 - 03- 21	Spring washer
27044 - 03- 22	Bearing block

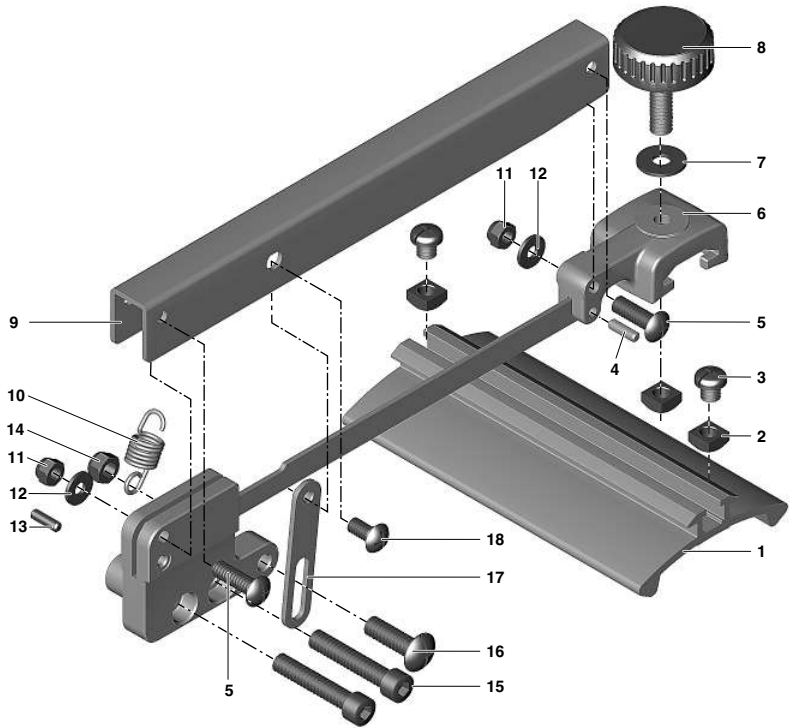




## Spare Parts List

---

ET-Nr.:	Description
27044 - 04 - 01	Stop bar
27044 - 04 - 02	Square nut
27044 - 04 - 03	Nut
27044 - 04 - 04	Turning holder
27044 - 04 - 05	Screw
27044 - 04 - 06	Holder
27044 - 04 - 07	Angle bracket
27044 - 04 - 08	Washer
27044 - 04 - 09	Knurled nut
27044 - 04 - 10	Washer
27044 - 04 - 11	Knurled screw
27044 - 04 - 12	Plate
27044 - 04 - 13	Washer
27044 - 04 - 14	Screw
27044 - 04 - 15	Square nut
27044 - 04 - 16	Base



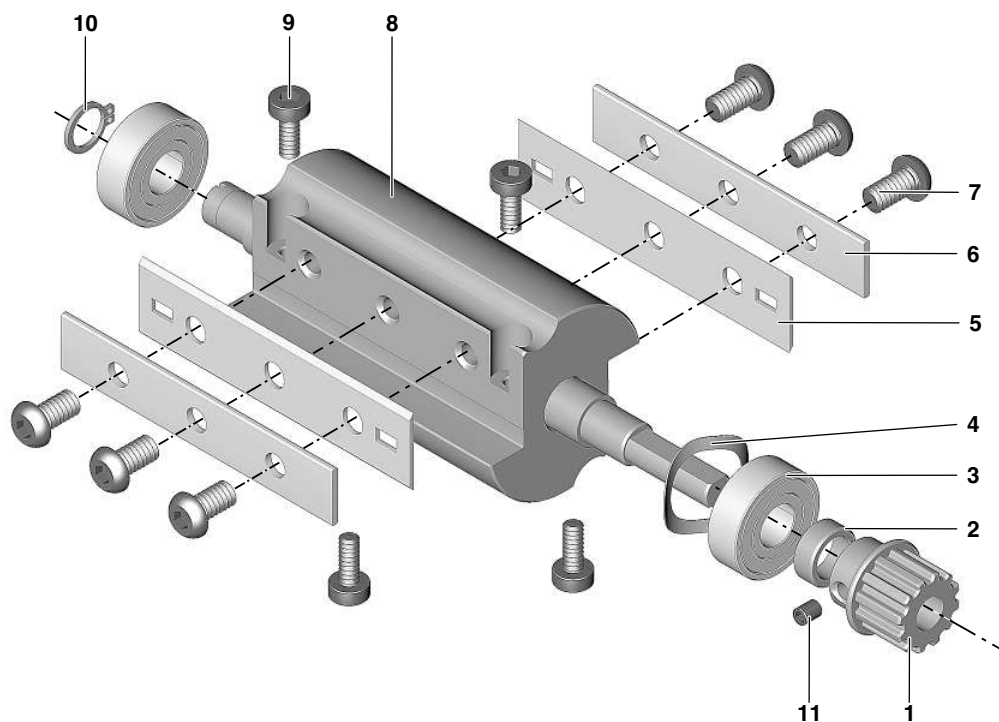
ET-Nr.:

Description

27044 -05 - 01	Cover
27044 -05 - 02	Square nut
27044 -05 - 03	Screw
27044 -05 - 04	Pin
27044 -05 - 05	Screw
27044 -05 - 06	Lever arm
27044 -05 - 07	Washer
27044 -05 - 08	Knurled screw
27044 -05 - 09	Cover
27044 -05 - 10	Tension spring
27044 -05 - 11	Nut
27044 -05 - 12	Washer
27044 -05 - 13	Pin
27044 -05 - 14	Nut
27044 -05 - 15	Screw
27044 -05 - 16	Screw
27044 -05 - 17	Lever
27044 -05 - 18	Screw

## Spare Parts List

ET-Nr.:	Description
27044 - 06 - 01	Pouly
27044 - 06 - 02	Bushing
27044 - 06 - 03	Ball bearing
27044 - 06 - 04	Spring washer
27044 - 06 - 05	Blade
27044 - 06 - 06	Clamping plate
27044 - 06 - 07	Screw
27044 - 06 - 08	Cutter spindle, compl.
27044 - 06 - 09	Adjustment screw
27044 - 06 - 10	Retaining ring
27044 - 06 - 11	Set screw



**PROXXON**