

The SK114 Chuck fitted with Colossus Gripper Jaws – Code 210887



All British-made super precision chuck system packed with innovation and accuracy.

- **Stainless steel body for durability and longevity**
- **Extra long accessory mounting jaws**
- **Compatible with our full range of jaw sets**
- **Made in our manufacturing facility in Axminster, United Kingdom**

Published: 7/11/2024

**THE BEST CHUCK
DESERVES THE BEST
GUARANTEE!**



Lifetime Guarantee

Available on Axminster Woodturning Evolution Chucks.

Please find full terms and conditions for the Lifetime Guarantee on our website.



Axminster Tools,

Weycroft Avenue, Axminster, Devon EX13 5PH

To see our extensive range of chuck accessories visit one of our stores, call **03332 406406** or search **axminstertools.com**

AXMINSTER
woodturning



Featuring Unique
SafetyJaw
Rounded Corners

AXMINSTER
woodturning

Introduction

Welcome to your Evolution SK114 Super Precision Chuck from Axminster Woodturning. Here are the instructions to maintain your chuck, how it works and on how to ensure the chuck and components remain clean and free from wear for a long life.

Safety instructions for chucks

When using this chuck please follow these basic safety precautions:

DO ensure the chuck is screwed fully onto the headstock shaft.

DO ensure that all accessory fittings are secure before starting your lathe.

DO start the machine in a slow speed if the work is unbalanced.

DO make sure the chuck key is removed from the chuck before switching on.

DO be aware that when gripping large diameter workpieces that the jaws may extend beyond the boundary of the chuck body.

DO keep your hands clear until the chuck has stopped rotating.

DO NOT attempt to exceed the normal capacity of any jaw fitted to the chuck as the jaws may not fully engage the scroll if they are extended too far.

DO NOT run your lathe in reverse, unless you have purchased the Reverse Locking Chuck.

Axminster Woodturning Jaws

There are a wide range of woodturning jaws for the SK114 Chuck available on our website.

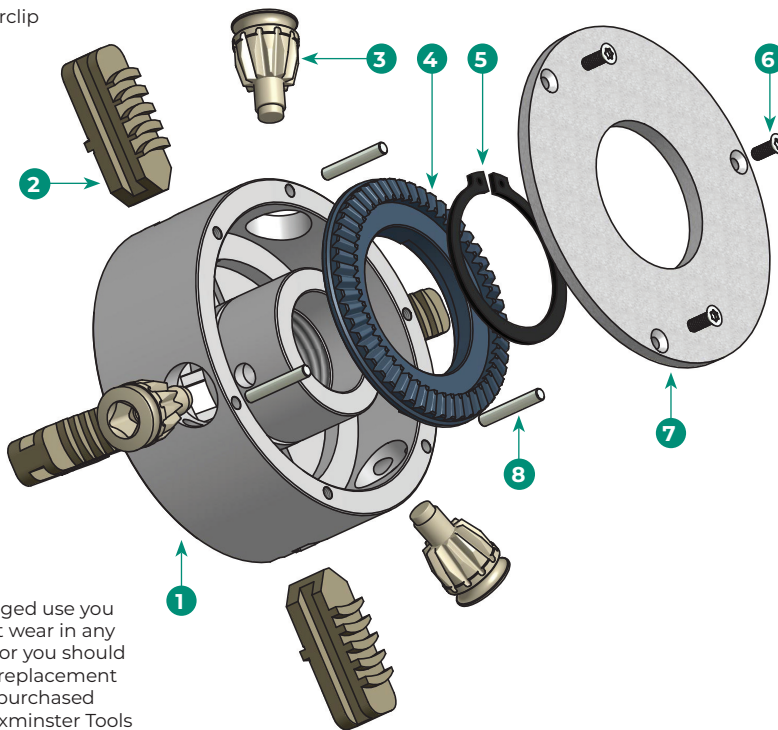
All Axminster Woodturning jaws are compatible with this chuck.



Visit axminstertools.com



- | | | | | | |
|---|---------------|-------------------------------|---------------|----------------------------------|--------------------|
| 1 | Chuck Body | 6 | 951425 | Backplate Torx 20 Securing Screw | |
| 2 | 106819 | SK114 Accessory Mounting Jaws | 7 | 951410 | Backplate |
| 3 | 951446 | Pinion Gear | 8 | 951349 | Pinion Locking Pin |
| 4 | 951437 | Hardened Scroll | | 108521 | Standard Chuck Key |
| 5 | 104062 | Circlip | | | |



If after prolonged use you should detect wear in any components or you should lose an item, replacement parts can be purchased direct from Axminster Tools axminstertools.com. If you have any questions, contact technicalsupport@axminstertools.com

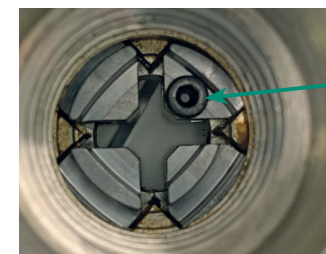
Featuring Unique
SafetyJaw
Rounded Corners

Axminster Woodturning Accessory Jaws

Manufactured in Axminster, these jaws are a precision fit for your chuck.

They feature a safety screw which prevents the jaws being extended too far from the chuck body. The screw is located on jaw 4 and must be in place before use.

Look out for the red dot on the side of all 4 jaws. If the dots are visible this means the screw is not in place and the jaws have been extended too far.



Look through the back of the chuck to see the screw. To remove the mounting jaws, first remove the safety screw **A**.



Evolution SK114 Accessory Mounting Jaws - Code 106819

